

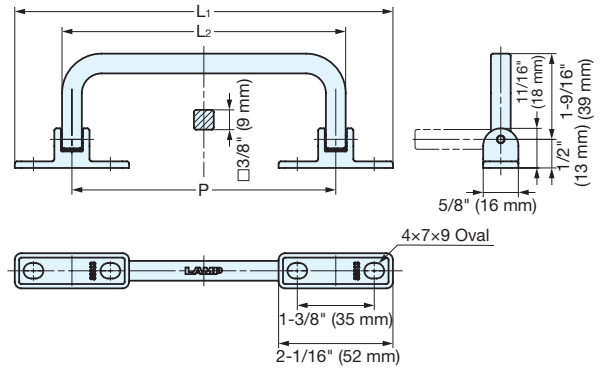
FOLDING HANDLE (FRONT SCREW MOUNT)



HKM



- 90° folding handle. Can be tilted when not in use.
- Front Screw Mount for easy installation.
- Handle clicks (temporary holding function) into open and closed position.
- Can be installed on aluminum frame.
- Load capacity: 110 lbs (vertical lifting or side pulling).



Item No.	Material	Finish	L ₁	L ₂	P	Load Capacity kgf	Weight (g)
HKM-120	SCS13 Stainless Steel*	Mirror	6-3/4" (172 mm)	5-1/16" (129 mm)	4-3/4" (120 mm)	50 (110 lbs)	177
HKM-150			7-15/16" (202 mm)	6-1/4" (159 mm)	5-15/16" (150 mm)		194
HKM-180			9-1/8" (232 mm)	7-7/16" (189 mm)	7-1/16" (180 mm)		214

*SCS13 Stainless Steel is equivalent to 304 Stainless Steel.