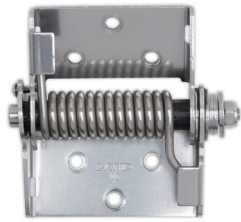


LIFT-ASSIST TORQUE HINGE



HG-TLAJ



Hinge

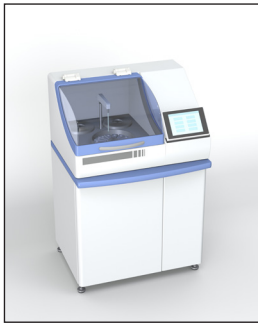


Cover
(sold separately)

- Featuring free stop with lift-assist for lid opening & closing directions (0 ~ 100°).
- The retaining torque (0 ~ 31 lbs-in) is adjustable with a 3/8" (10 mm) hex key.
- Lift-assist, makes lid feel lighter to open and close.
- Operating temperature: 32° to 104°F (0° to 40°C).
- This compact hinge is designed for external surface mount on top-opening lids.
- High Durability: 50,000 open/close cycles passed (private test).
- Ideal for medical, analytical and factory automation equipment.
- Cover (sold separately) provides clean appearance to blend in with aesthetics of machinery.

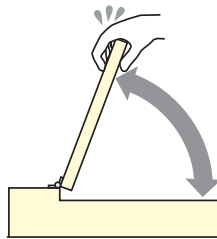
HINGES
TORQUE HINGES

Application



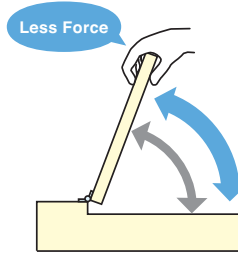
Smoother than ever before

Normal Torque Hinge



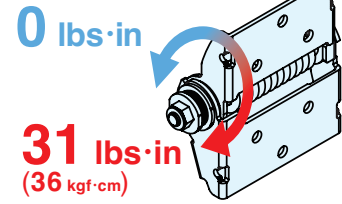
Only Retaining Torque

Lift-assist Torque Hinge



Retaining Torque + Lift-assist Force

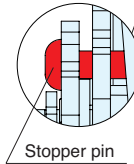
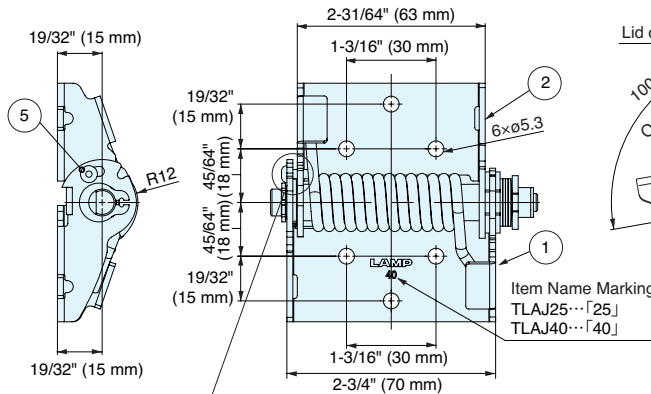
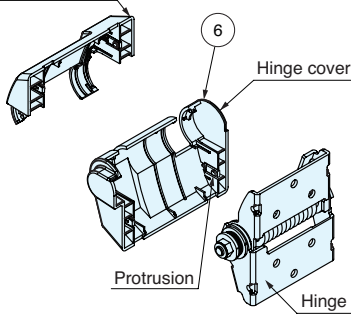
Retaining Torque Adjustment



A hex key is needed (size: 10).
0 lbs-in is the factory preset.

Component Parts

Hinge cover



The hinge is delivered with the pin attached. It keeps the hinge open. Please do not detach it until the hinge is installed.

Hinge

Item No.	Lift-assist Force	Retaining Torque	Weight (g)	Box (pcs)	Carton (pcs)
HG-TLAJ25	19.5 - 25.6 lbs-in (22-30 kgf-cm)	0 - 31 lbs-in (0-36 kgf-cm)	218	10	40
HG-TLAJ40	31 - 38.9 lbs-in (36-45 kgf-cm)		222	10	40

Cover Sold Separately

Item No.	Weight (g)	Box (pcs)	Carton (pcs)
HG-TLAJC	41	10	40

No.	Part Name	Material	Finish
①	Body	304 Stainless Steel	Barrel Polished
②	Bracket	430 Stainless Steel	
③	Spring	Stainless Steel	Plain
④	Torque Adjustment Nut M6	-	
⑤	Stopper Pin	Stainless Steel	
⑥	Hinge Cover	PBT	White