

ADJUSTABLE ALL STAINLESS STEEL TORQUE HINGE

STAINLESS
304
STEEL

HG-TBSJ40

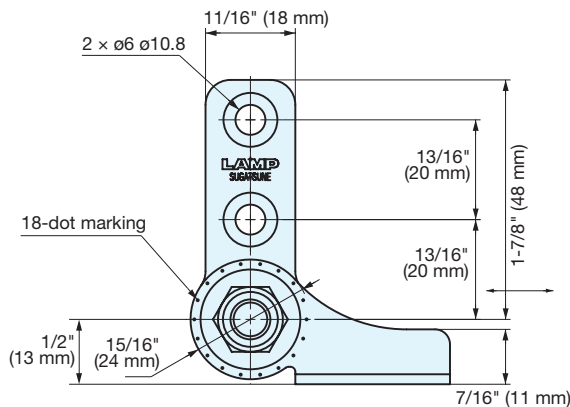
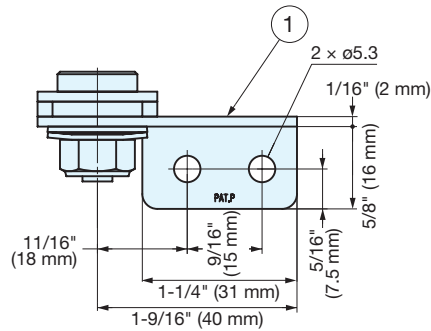
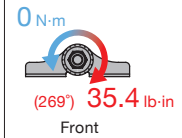


- Torque adjustable from 0 to 4 N·m (0 to 35.4 lbf·in). Factory setting is at 4.0 N·m.
- For pair use: Please use the same torque in both hinges.
- Use a spanner (nominal size 13) for torque adjustment. Do not forcibly remove the torque adjustment nut.
- When installing, ensure that both hinge shafts are leveled and aligned.
- Torque hinge made entirely from stainless steel, making it suitable for use in corrosive environments.
- Operating temperature: 0°~40°C (32°~104°F).
- Great for LCD's, monitoring camera displays, food and medical equipment.
- High Durability: HG-TBSJ40 passed 40,000 open/close private cycle test, twice that of HG-TB torque hinge (20,000 cycles).

Free stop

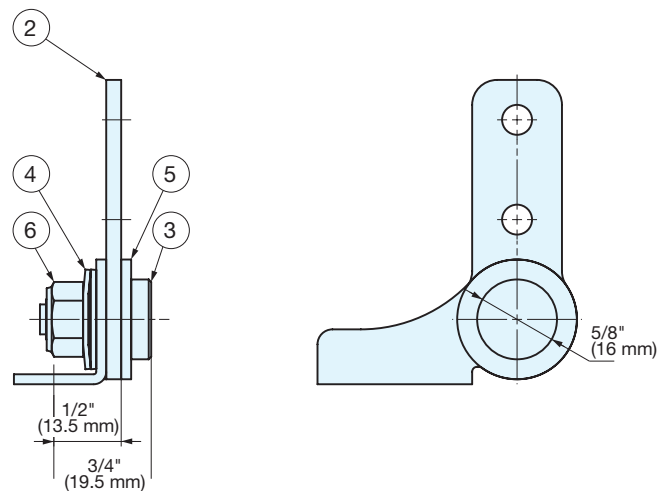
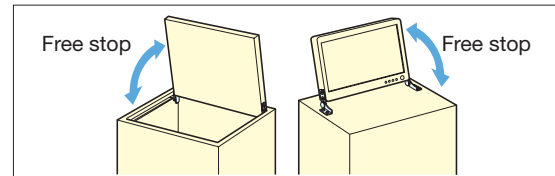
Passed 40,000 open/
close private cycle test

Adjustable with
a hex key 13.



Left-handed type shown. Right-handed type is symmetrical.

Application Example



No.	Part Name	Material	Finish
①	Body	304 Stainless Steel	Barrel Polished
②	Base	304 Stainless Steel	Barrel Polished
③	Shaft	303 Stainless Steel	-
④	Spring Washer	304 Stainless Steel	Barrel Polished
⑤	Plate	304 Stainless Steel	Barrel Polished
⑥	Lock Nut	Stainless Steel	Barrel Polished

Item No.	Type	Torque (lb · in)	Opening Angle	Weight (g)	Box (pcs)	Carton (pcs)
HG-TBSJ40R	Right	0 - 35.4 ^{±20%}	360°	67	20	160
HG-TBSJ40L	Left			67	20	160