

# ALL STAINLESS STEEL TORQUE HINGE

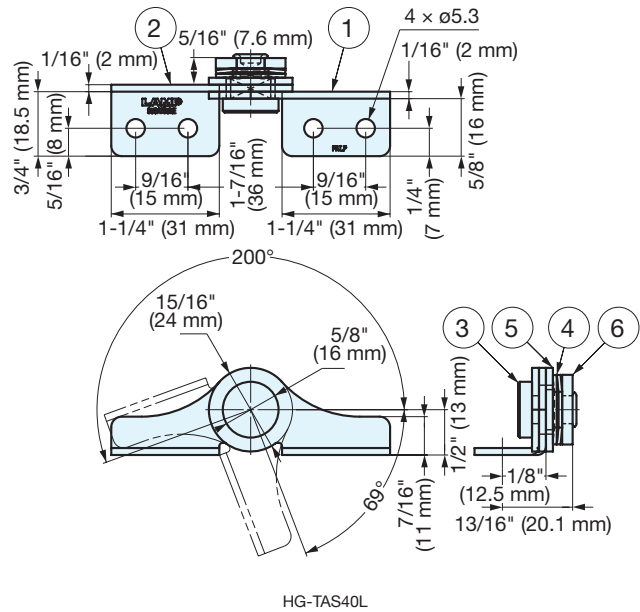
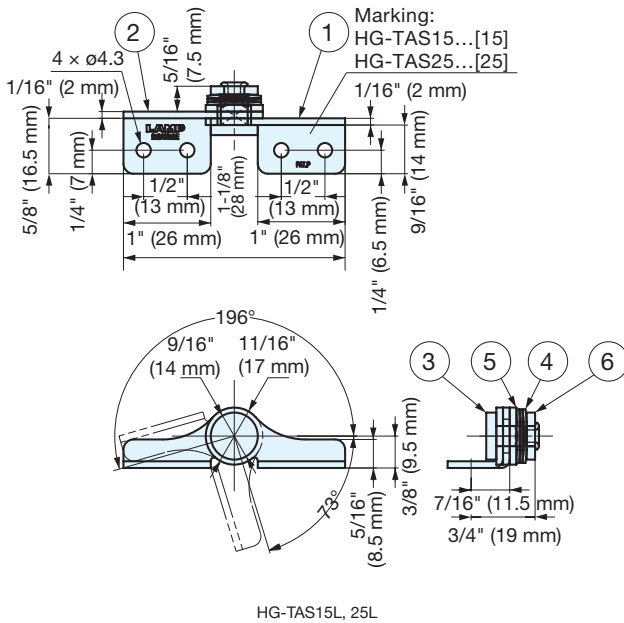
**STAINLESS  
304  
STEEL**

## HG-TAS

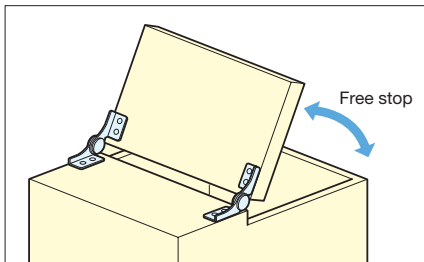
**HINGES**
**ALL STAINLESS STEEL TORQUE HINGE**


- Torque hinge made entirely from stainless steel, making it suitable for use in corrosive environments.
- For pair use. When installing, ensure that both hinge shafts are leveled and aligned.
- Operating temperature: 32°F - 104°F (0°C - 40°C).
- Great for LCD, monitoring camera displays, medical and food equipment.
- High Durability: HG-TAS passed 40,000 open/close private cycle test, twice that of HG-TA torque hinge (20,000 cycles).

**Free stop**

 Passed 40,000 open/  
close private cycle test


Left-handed type shown. Right-handed type is symmetrical.

**Application Example**


No.	Part Name	Material	Finish
①	Body	304 Stainless Steel	Barrel Polished
②	Base		
③	Shaft	303 Stainless Steel	-
④	Spring Washer	304 Stainless Steel	Barrel Polished
⑤	Plate		
⑥	Washer	430 Stainless Steel	

Item No.	Type	Torque (lb · in)	Weight (g)	Box (pcs)	Carton (pcs)
HG-TAS15R	Right	13.2 <sup>+20%</sup>	37	40	320
HG-TAS15L	Left		37	40	320
HG-TAS25R	Right	22.1 <sup>+20%</sup>	38	40	320
HG-TAS25L	Left		38	40	320
HG-TAS40R	Right	35.4 <sup>+20%</sup>	64	20	160
HG-TAS40L	Left		64	20	160