

# ADJUSTABLE ALL STAINLESS STEEL TORQUE HINGE



# HG-TASJ40

HINGES

ADJUSTABLE ALL STAINLESS STEEL TORQUE HINGE

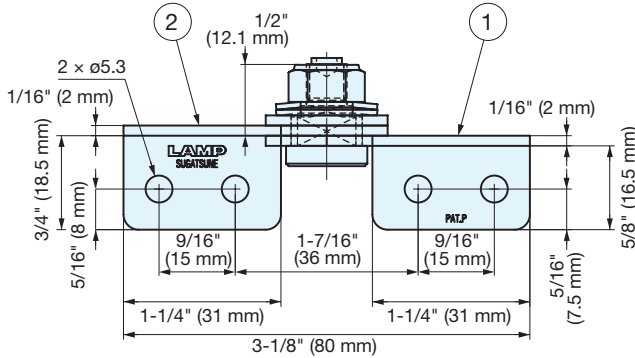
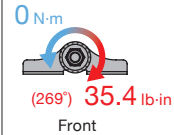


- Torque adjustable from 0 to 4 N•m (0 to 35.4 lbf•in). Factory setting is at 4.0 N•m.
- For pair use: Please use the same torque in both hinges.
- Use a spanner (nominal size 13) for torque adjustment. Do not forcibly remove the torque adjustment nut.
- When installing, ensure that both hinge shafts are leveled and aligned.
- Torque hinge made entirely from stainless steel, making it suitable for use in corrosive environments.
- Operating temperature: 32°F - 104°F (0°C - 40°C).
- Great for LCD's, monitoring camera displays, medical and food equipment.
- High Durability: HG-TASJ40 passed 40,000 open/close private cycle test, twice that of HG-TA torque hinge (20,000 cycles).

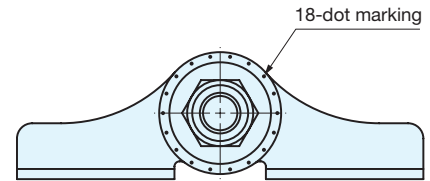
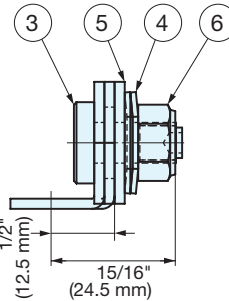
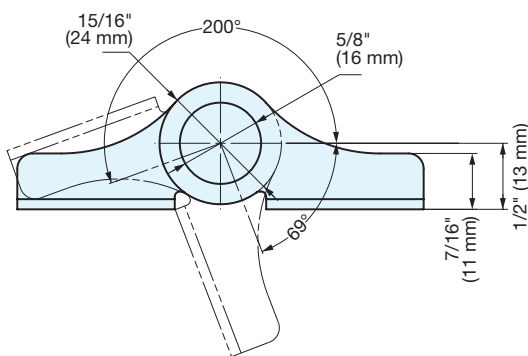
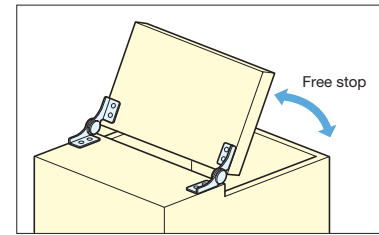
**Free stop**

Passed 40,000 open/close private cycle test

Adjustable with a hex key 13.



**Application Example**



Left-handed type shown. Right-handed type is symmetrical.

No.	Part Name	Material	Finish
①	Body	304 Stainless Steel	Barrel Polished
②	Base	304 Stainless Steel	Barrel Polished
③	Shaft	303 Stainless Steel	-
④	Spring Washer	304 Stainless Steel	-
⑤	Plate	304 Stainless Steel	Barrel Polished
⑥	Lock Nut	Stainless Steel	-

Item No.	Type	Torque (lb · in)	Opening Angle	Weight (g)	Box (pcs)	Carton (pcs)
HG-TASJ40R	Right	0 - 35.4 <sup>±20%</sup>	360°	64	20	160
HG-TASJ40L	Left			64	20	160