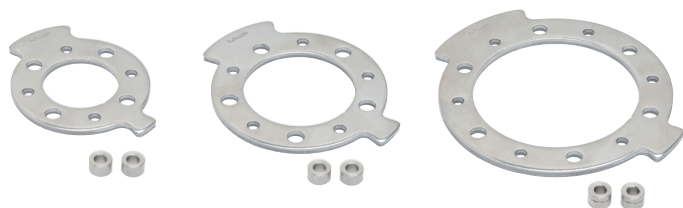


# ANGLE LIMITER PLATE FOR SWIVEL TORQUE HINGE

STAINLESS  
430  
STEEL

STAINLESS  
303  
STEEL

# HG-S-ARP



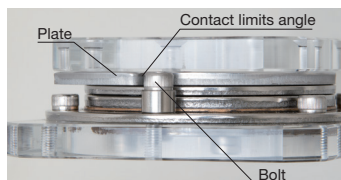
HG-S-34ARP

HG-S-50ARP

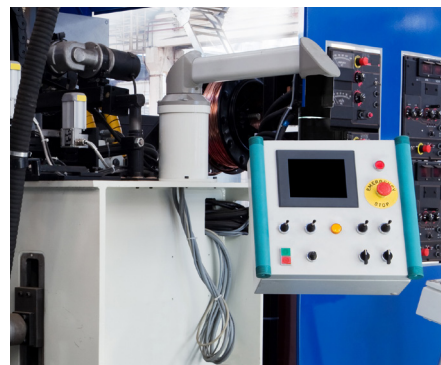
HG-S-75ARP

- Plate and stopper form a set to control the swivel angle of HG-S swivel torque hinge series.
- HG-S-34ARP works only with HG-S50-34 and HG-S70-34
- HG-S-50ARP works only with HG-S70-50 and HG-S100-50
- HG-S-75ARP works only with HG-S50-75 and HG-S70-75
- Two swivel directions (clockwise and counterclockwise) and five angles (30°, 60°, 90°, 120°, or 150°).

### Angle Limit Mechanism

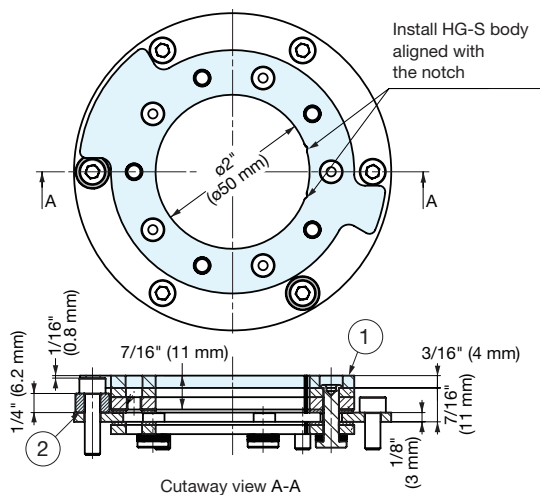
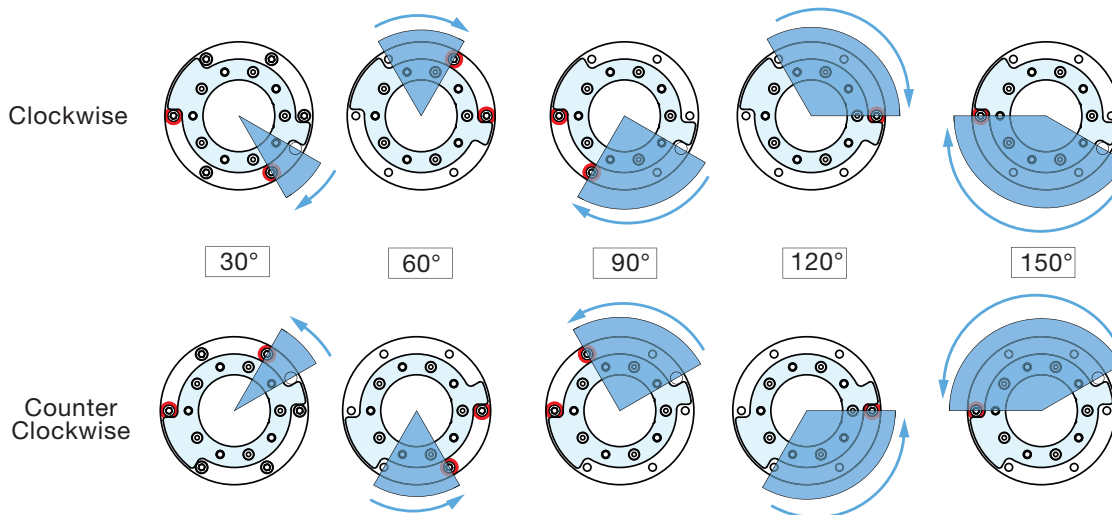


The angle is limited by contact between the stopper co-fastening bolt (to be prepared by the customer) and the plate.

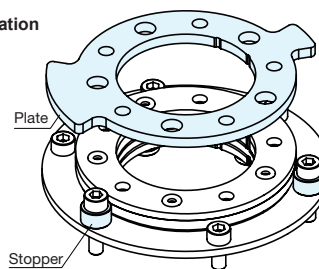


The HG-S-ARP controls the swivel angle. Great for motion control to prevent equipment damage.

### Stopper Installation Position, Swivel Direction & Control Angle



### Part Configuration



| No. | Part Name             | Material            | Finish          |
|-----|-----------------------|---------------------|-----------------|
| ①   | Angle Limiter Plate   | 430 Stainless Steel | Barrel Polished |
| ②   | Angle Limiter Stopper | 303 Stainless Steel | Plain           |

| Item No.   | Corresponding Hinge | Weight (g) |
|------------|---------------------|------------|
| HG-S-34ARP | HG-S-34             | 77.6       |
| HG-S-50ARP | HG-S-50             | 99.7       |
| HG-S-75ARP | *HG-S-75            | 148.5      |