

HEAVY-DUTY STAINLESS STEEL LIFT-OFF HINGE (WELD-ON)

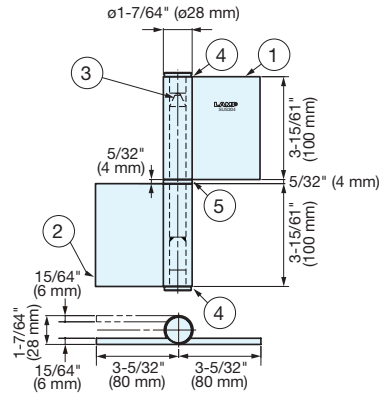


HG-LSH

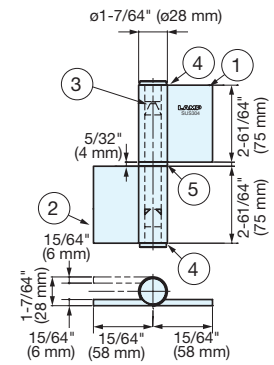
- Lift-off, weld on hinge.
- Made from 1/4" (6 mm) thick stainless steel.
- Designed with greased bearings for smooth movement.
- Durable: passed 200,000 open/close private cycle test.
- Designed large heavy doors, gates, or large equipment



HG-LSH-204R



HG-LSH-204R



HG-LSH-154R

Part Name	Material	Finish
Door Side Hinge Plate	304 Stainless Steel	Satin
Frame Side Hinge Plate		
Pin		
Head Cap	304 Stainless Steel	Plain
Ring		

Item No.	Type	Load Capacity 2 pcs	Weight (g)	Box (pcs)	Carton (pcs)
HG-LSH-154L	Left Side	441 lbs (200 kg)	1020	6	12
HG-LSH-154R	Right Side				
HG-LSH-204L	Left Side	489 lbs (222 kg)	1540	1	6
HG-LSH-204R	Right Side				