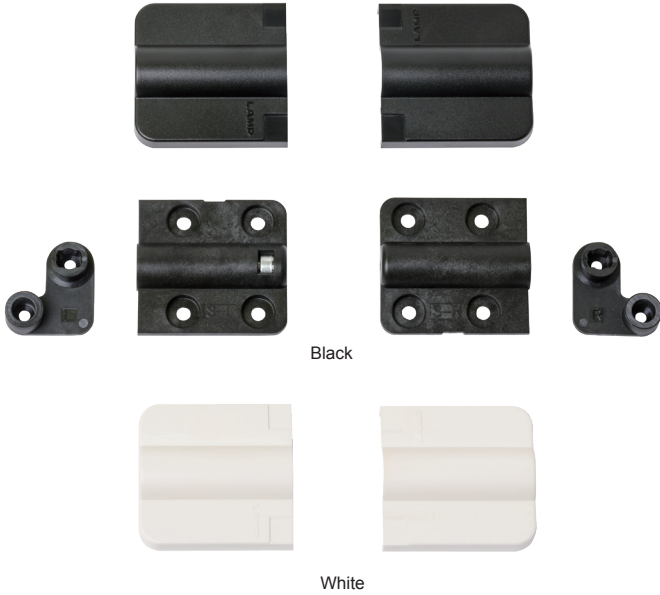


SELF-OPEN DAMPER HINGE

HINGES

SELF-OPEN DAMPER HINGE



- Small damper hinge with self-opening function for top-opening lids. Using with a touch latch enables pop-up function of the lid.
- Inset type.
- Opening speed is adjustable with a hex key.
- Cover hides mounting screws for clean appearance.
- Easy to cut out with a router.
- Applicable into surface mount with Bracket UKZ11-BL (sold separately).

Calculation of maximum door moment

$$T = m \times 9.80665 \times L$$

T: Max. door torque (N/mm)

m: Door weight (kg)

L: Distance from rotation centre to door centre of gravity (mm)

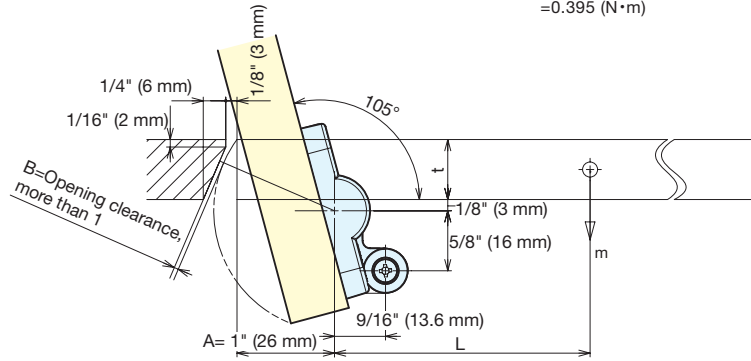
$$L = \frac{D}{2} - A \quad (\text{Formula for assuming that the centre of gravity is in the centre of door})$$

D: Door length (mm)

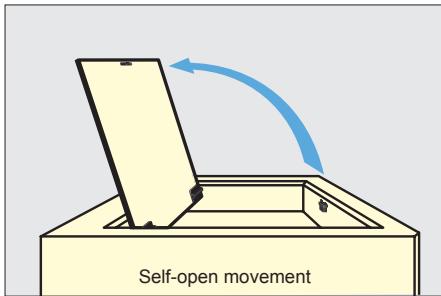
A: Bracket installation dimension (mm)

[Example] D=180 mm, A=26 mm, m=0.63kg

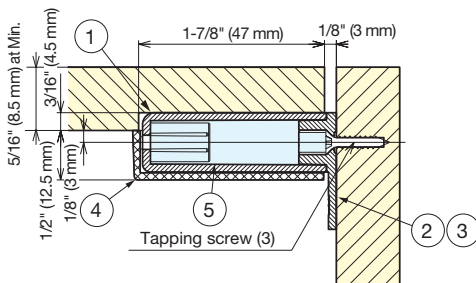
$$T = 0.63 \times 9.80665 \times \left(\frac{180}{2} - 26\right) = 395 (\text{mN} \cdot \text{m}) = 0.395 (\text{N} \cdot \text{m})$$



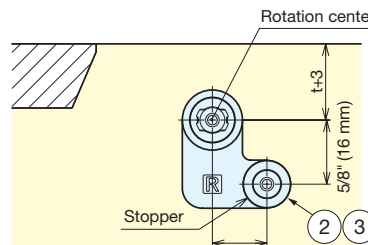
*t = 5/8" (16 mm).
Prepare more than 1 for Gap B of Opening clearance.



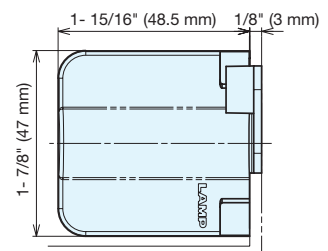
Installation
Cross-section Drawing



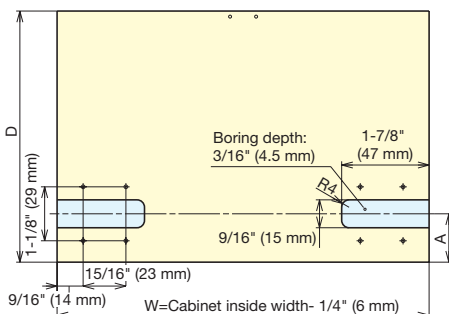
Installation
Bracket



Top View
When closed door

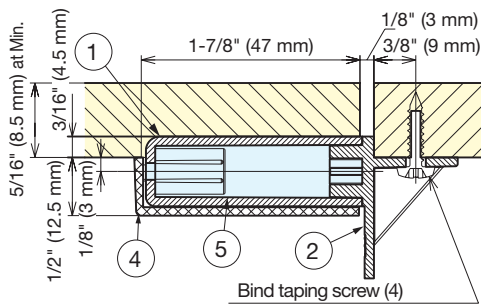


Cut Out Dimensions

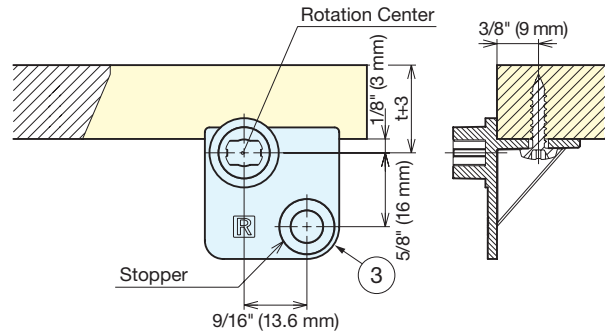


Item No.	Part Name	Material	Finish
①	Body	Polycetal (POM)	Black
② or ③	Bracket for side mount	PBT	
④	Cover	ABS	Black/White
⑤	Damper	-	-

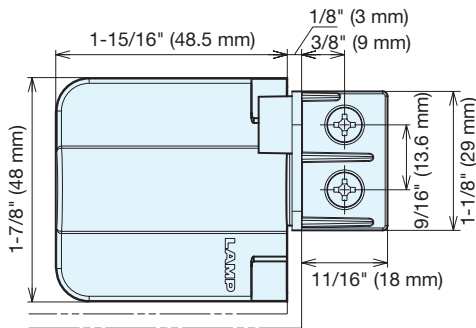
Surface Mount Type
(Installed with Bracket for Surface Mount UKZ11-BL)
Cross-section Drawing



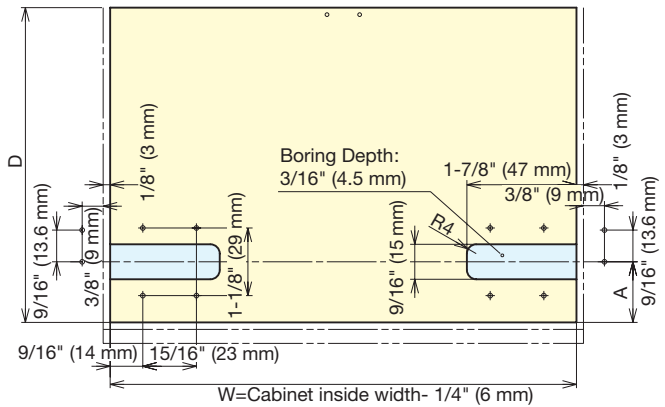
Installation
Bracket



Top View



Cut Out Dimensions



Adjustment of Lid Opening Speed

When increasing lid opening speed

- Insert a hex key (size 3) into the hole of spring unit (L side)
- Push in the hex key *until toothed projection is disengaged, while rotating counter clockwise by 30°, and then pull it out.
- Close the lid, and check if the lid can be opened smoothly. Repeat steps 1-3 (maximum 5 times) if the lid opening speed is still slow.

When decreasing lid opening speed (returning to the speed before adjustment)

Loosen the force following the hex key rotating clockwise.

*Make sure to rotate counter clockwise following pushing in the hex key and disengaging the projection. Forced rotation may cause damage.

Item No.	Color	Torque (per pair)	Opening Angle	Weight	Box	Carton
HG-JHS11-2BL	Black	0.89 - 2.21 lbs-in (1.02 - 2.55 kgf-cm)	105°	56 g	12 Set	50 Set
HG-JHS11-2WT	White					
HG-JHS11-4BL	Black	2.21 - 3.54 lbs-in (2.55 - 4.08 kgf-cm)				
HG-JHS11-4WT	White					



Bracket for Surface Mount

Item No.	Color	Weight	Box	Carton
UKZ11-BL	Black	12 g	50 Set	500 Set