

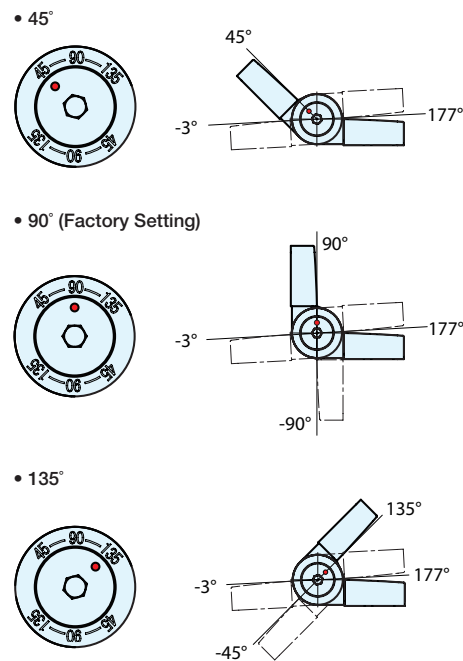
# ANGLE ADJUSTABLE DETENT HINGE

# HG-CHJ70



- Holds at 4 angles: -3°, -90°, 90° and 177° (factory setting).
- The holding angle of 90° can be switched to 45° or 135°.
- Can be used both vertically and horizontally.
- Ideal for environmental test equipment or laboratory equipment.
- Adjustments of angles must be made when hinge is in opened position.
- Use 5mm hex key for tension adjustment screw.

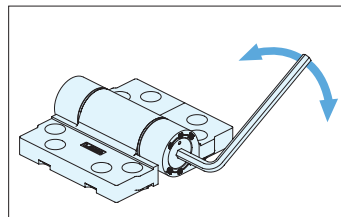
### Available Detent Angles



(Without Covers)



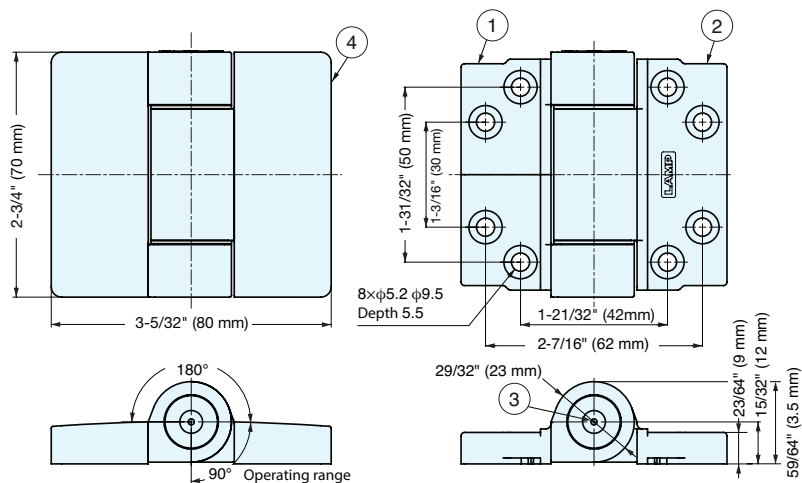
Application Example



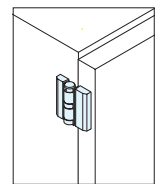
Can be adjusted by a hex key



Application Example

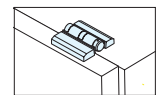


### Lateral Opening



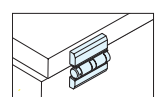
Weight: Max. 17.64 lbs (8 kg)  
Width: Max. 19-11/16\" (500 mm)  
Height: Max. 39-3/8\" (1,000 mm)

### Upward Opening



Torque: Max. 15.05 lbs-in  
Height: Max. 9-27/32\" (250 mm)

### Top Opening



Torque: Max. 21.24 lbs-in  
Height: Max. 11-13/16\" (300 mm)

Item No.	Color	Retaining Torque (kgf-cm)	Weight (g)	Box (pcs)	Carton (pcs)
HG-CHJ70BL	Black	20.4 (17.71 lbs-in)	115	10	80
HG-CHJ70WT	White				

No.	Part Name	Material
①	Fixed Bracket	POM (Plastic)
②	Movable Bracket	
③	Shaft	Stainless Steel
④	Cover	ABS (Plastic)

# You can change the temporary holding angle!

## All 3 angles available in one hinge

