

3-WAY ADJUSTABLE CONCEALED HINGE For Door Moldings



HES3D-W190

HINGES

3-WAY ADJUSTABLE CONCEALED HINGES



HES3D-W190DC-UL

HES3D-W190DN-UL

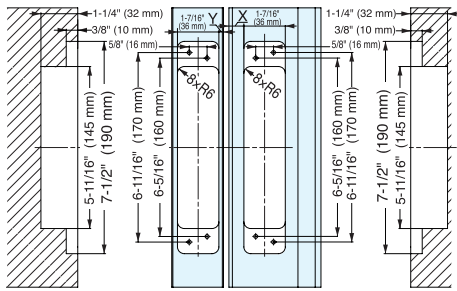
HES3D-W190WT

HES3D-W190PN

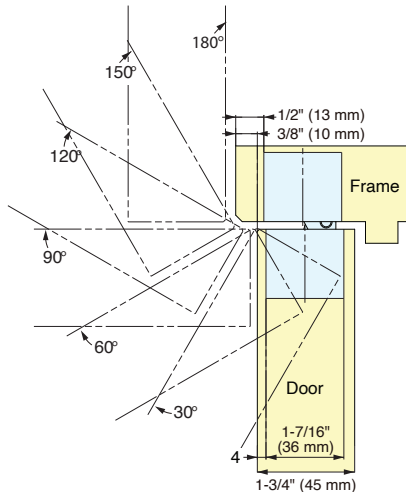
HES3D-W190BL-UL

- Has a long arm for a wider throw, allowing 3/8" (10 mm) clearance for flush installation or 1/2" (13 mm) clearance for installation with a molding. Opens to 180°.
- Features 3-way adjustability (vertical, horizontal and depth).
- UL Rated, up to 3 Hours (DC, DN, and BL models only)
- Flanges come apart for the door to be provisionally hung for making adjustments. This provides a quick and easy installation when ready for fixing screws.
- Successfully passed 300,000 open/close private cycle tests
- Replacement screw covers available for all finishes.
- Only the HES3D-W190PN model includes metal cover plates*, all other models include plastic cover plates.

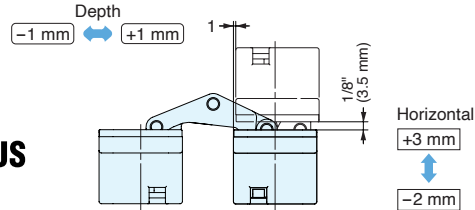
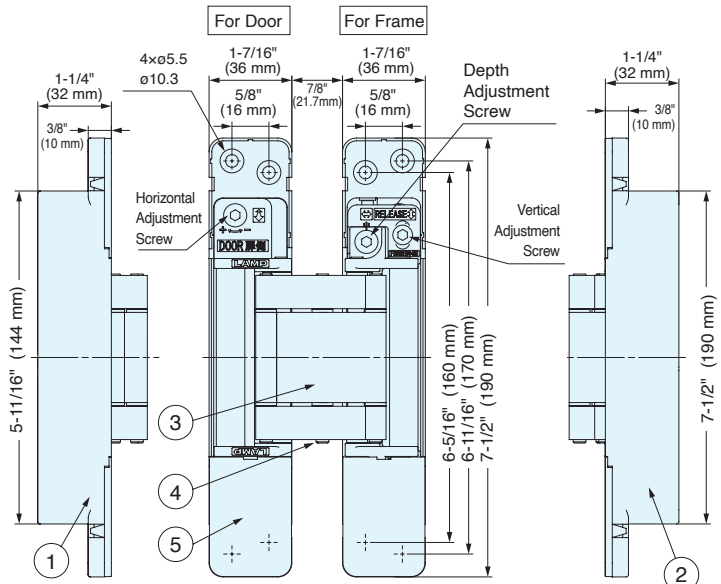
Cut Out Dimension



Please drill prepared holes for the tapping screws if the optional jig (HES3D-W190-TMP) is not used.



The example drawing shows the case that there is a step of 10 mm between the door and the frame.



Select models only

No.	Part Name	Material	Finish/Color				
			DC	DN	BL	PN	WT
1	Body	Zinc Alloy (ZDC)	Satin	Nickel	Enamel Black	Nickel	Enamel White
2	Base Frame						
3	Arm	Aluminium Alloy					
4	Shaft	Stainless Steel	Plain	Plain	Plain	Plain	Plain
5	Screw Cover	ABS/Stainless Steel*	Silver	Dull Nickel	Black	Nickel	White

Item Name	Finish	Door Size			Door Weight		Opening Angle	Weight (g)	Box (pcs)	Carton (pcs)
		Width	Height	Thickness	2 pcs	3 pcs				
HES3D-W190DC-UL	Dull Chrome	Max. 36" (915 mm)	Max. 96-1/16" (2440 mm)	Min. 1-5/8" (42 mm)	Max. 220 lbs (100 kg)	Max. 275 lbs (125 kg)	180°	-	2	12
HES3D-W190DN-UL	Dull Nickel									
HES3D-W190BL-UL	Black									
HES3D-W190PN	Polished Nickel									
HES3D-W190WT	White									

3-WAY ADJUSTABLE CONCEALED HINGE For Cladded Doors



HES3D-W190

Flush Installation

•Open

•Closed

C (detail)

* Chamfering is required depending on clearance for proper door motion.

Y	B	X	A
Door Clearance	Door Chamfering	Frame Clearance	Frame Chamfering
4 and under	0	3 and under	0
5	1	4	1
6	2	5	2
7	3	6	3
8	4	7	4
9	6	8	6

Installation with Molding

•Open

•Closed

If something is attached to a frame, for example decorative sheets, please include the thickness into the X.

C (detail)

* Chamfering is required depending on clearance for proper door motion.

Available on doors which are not aligned flush to the wall or frame.

Y	B	X	A	X-Y+1
Door Clearance	Door Chamfering	Frame Clearance	Frame Chamfering	Step Amount
3	0	3 to 12	0	1 to 10
		13	1	11
		14	2	12
		15	4	13
4	1	3 to 10	0	0 to 7
		11	1	8
		12	2	9
		13	3	10
5	2	14	4	11
		7	1	3
		8	2	4
		9	3	5
5	3	10	4	6
		11	4	7
		12	5	8
		13	6	9

Y	B	X	A	X-Y+1
Door Clearance	Door Chamfering	Frame Clearance	Frame Chamfering	Step Amount
6	3	3 to 6	0	-2 to 1
		7	1	2
		8	2	3
		9	3	4
6	4	10	4	5
		11	5	6
		12	6	7
		3 to 6	0	-3 to 0
7	5	7	1	1
		8	2	2
		9	3	3
		10	5	4
7	5	11	7	5
		3 to 6	0	-4 to -1
		7	1	0
		8	3	1
8	6	9	5	2
		10	7	3