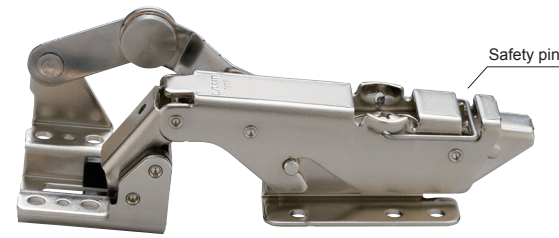


CONCEALED TORQUE HINGE (CLIP-ON)

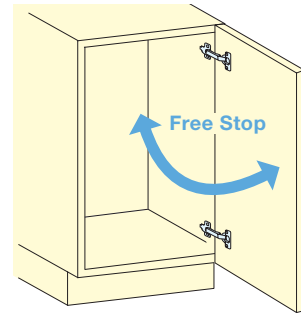


H95TSH-F



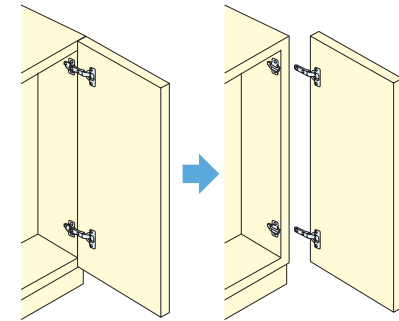
- Torque concealed hinge with free stop holds door open at any position up to 95° opening (prevents slamming).
- Door opens without interfering with side cabinets, wall, or other adjacent objects.
- Ideal for access doors or cabinets with limited interior space: server rooms, pantries and lockers.
- Simple clip-on installation and detachment: hinge can be easily fixed onto the mounting plate by pressing down.
- The safety pin prevents accidental unlocking.
- Durability: 10,000 open/close cycles passed (private test).
- Mounting plate (H95TSZ) sold separately.

Torque Mechanism

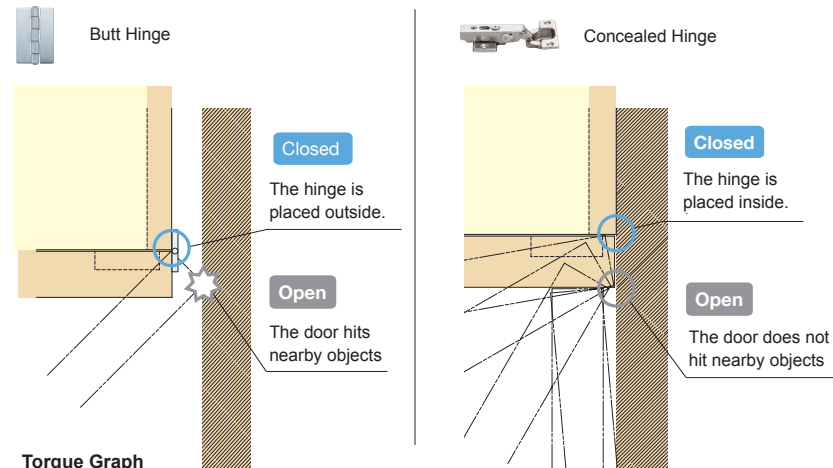


Holds in position even if the door is inclined.

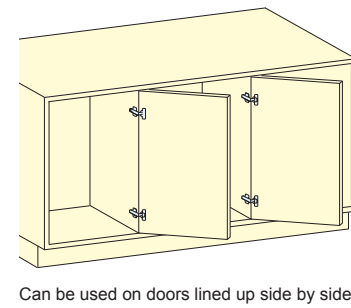
Easy Installation and Detachment



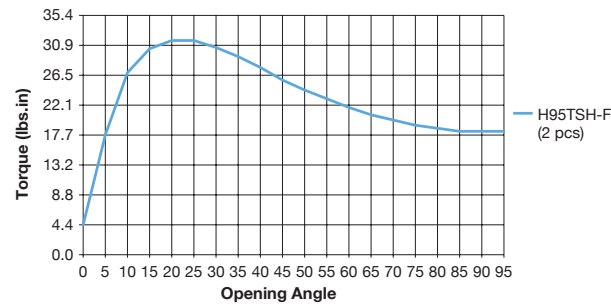
Door Locus Comparison



Alternative Installations



Torque Graph

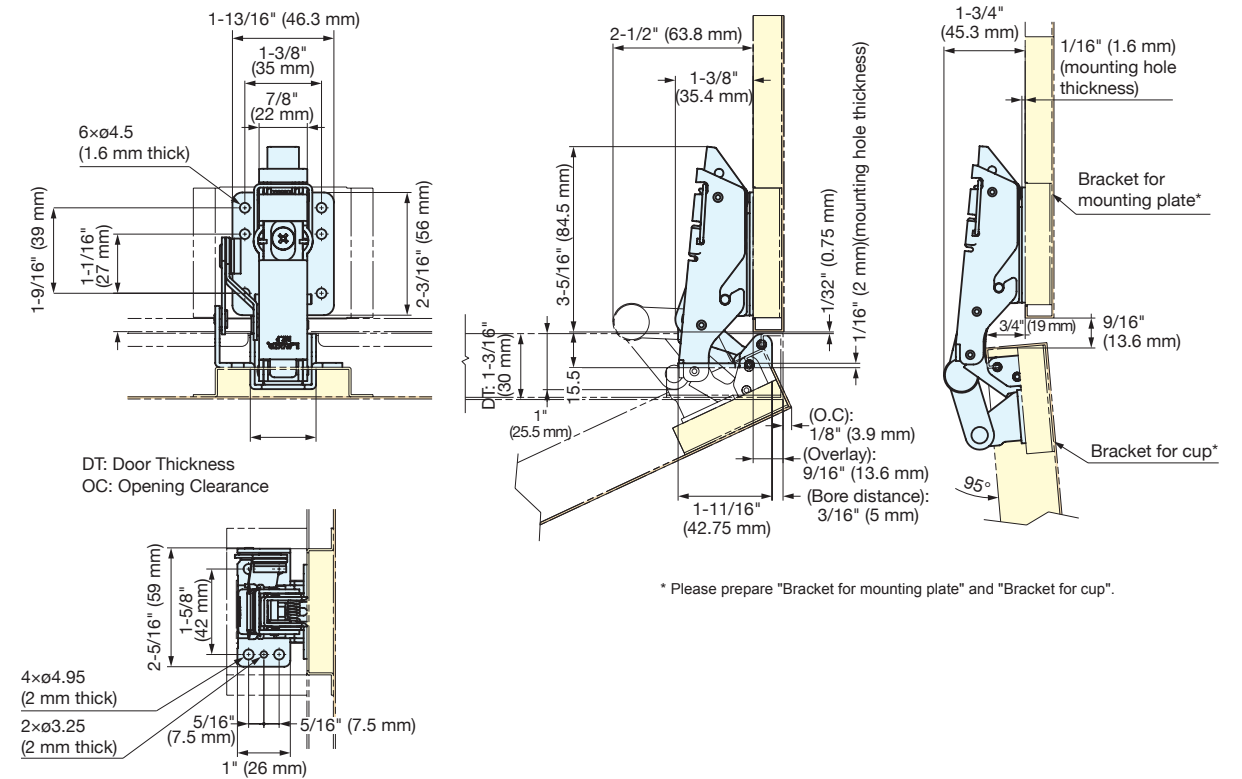
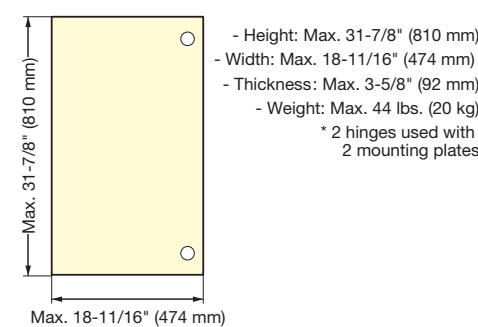


Although the torque will be released to prevent "spring-back" at a nearly closed angle, the door will not be firmly kept closed. If detent function is needed, please use with catches.

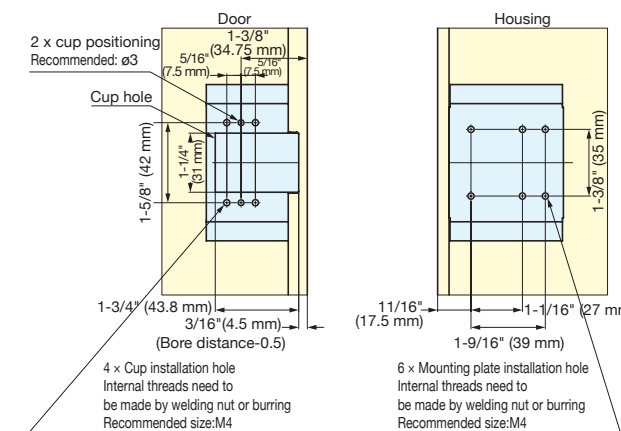
Changes in Torque Strength

- 4.4 lbs-in at 0° opening angle
- 31 lbs-in at 20° to 25° opening angle
- 17.7 lbs-in at max 95° opening angle

Example Door Spec



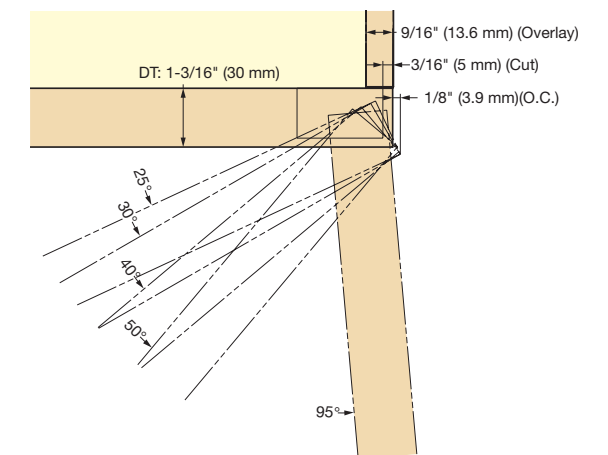
Cut Out Dimensions



The drawing shows the installation position in the conditions below:

- Bore distance : 3/16" (5 mm)
- Door thickness : 1-3/16" (30 mm)
- Overlay : 9/16" (13.6 mm)

Locus Chart



Reference door weight: 44 lbs (20 kg)
(In case of door size W 17-3/4" (450 mm) x H 31-1/2" (800 mm), pitch 21-5/8" (550 mm), vertical use)

Hinge

Item No.	Main Material	Finish	Load Capacity per Pair (kg)	Weight (g)	Box (pcs)
H95TSH-F	Steel	Nickel	20 (44 lbs)	180	60

Mounting Plate (Sold Separately)

Item No.	Main Material	Finish	Load Capacity per Pair (kg)	Weight (g)	Box (pcs)
H95TSZ	Steel	Nickel	20 (44 lbs)	94	100

*Load Capacity rated using 2 hinges with 2 mounting plates.