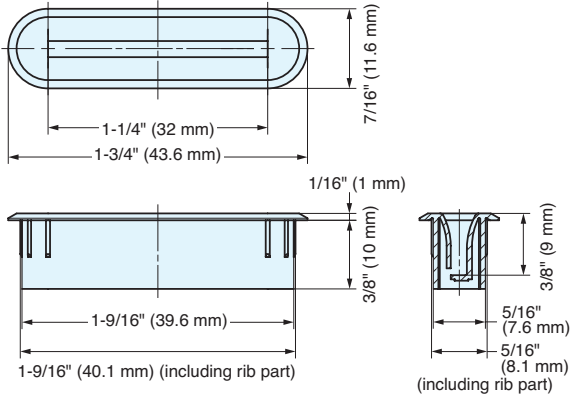


RECESSED COUNTER PLATE (For Glass Door Locks)

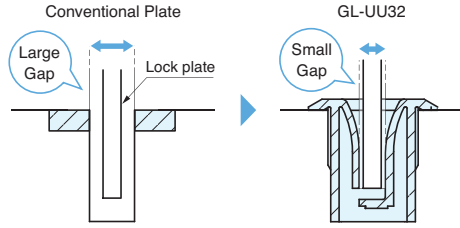
GL-UU32



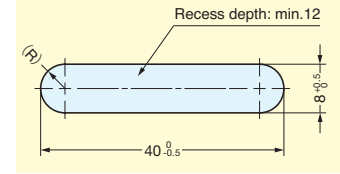
- Easy push-in installation. No screws are needed.
- Subtle clean look.
- Processed wood surface cannot be seen through the hole.
- Has ramped wedges inside to reduce the gap and prevent doors from rattling.
- Can be used with GS-GL5 and 1310GL locks.
- If the installation is loose, please use adhesive bond to fix the plate.
- Thickness of the lock plate should be less than 1/8" (3 mm).



Rattle-free Mechanism



Cut Out Dimensions



Item No.	Color	Material	Weight (g)
GL-UU32-WT	White	ABS	1.4
GL-UU32-BL	Black		