

SLIDING POCKET DOOR SYSTEM (Recessed Mount) **FD80DHCHP-PD**

SLIDING & FOLDING DOOR HARDWARE

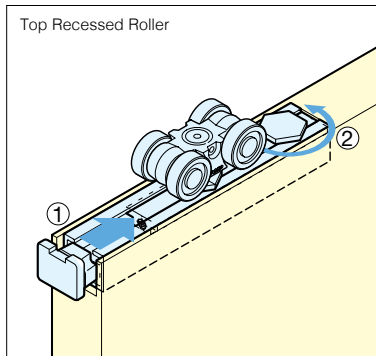


Door Weight	Max. 176 lbs (80 kg)
Door Thickness (Min.)	Recessed: 1-5/16" (34 mm), Surface: 1-3/16" (30 mm)
Door Width	30-7/8" ~ 59-1/16" (784-1500 mm) [98-7/16" (2500 mm) or less in height] 33-7/16" ~ 59-1/16" (850-1500 mm) [98 7/16" ~ 106-5/16 (2501-2700 mm) in height]
Door Height	Max. 106-5/16" (2700 mm)

- Easy installation and maintenance
- Built in soft-close and soft-open damper.
- Two-rail system, allows all components to be fixed or adjusted through the opening without breaking the pocket (Sold Separately).
- Use with removable jam/trim/casing.
- For interior use only.
- Rollers are recess mounted to top of door.
- High durability, passed 200,000 cycle test (private)

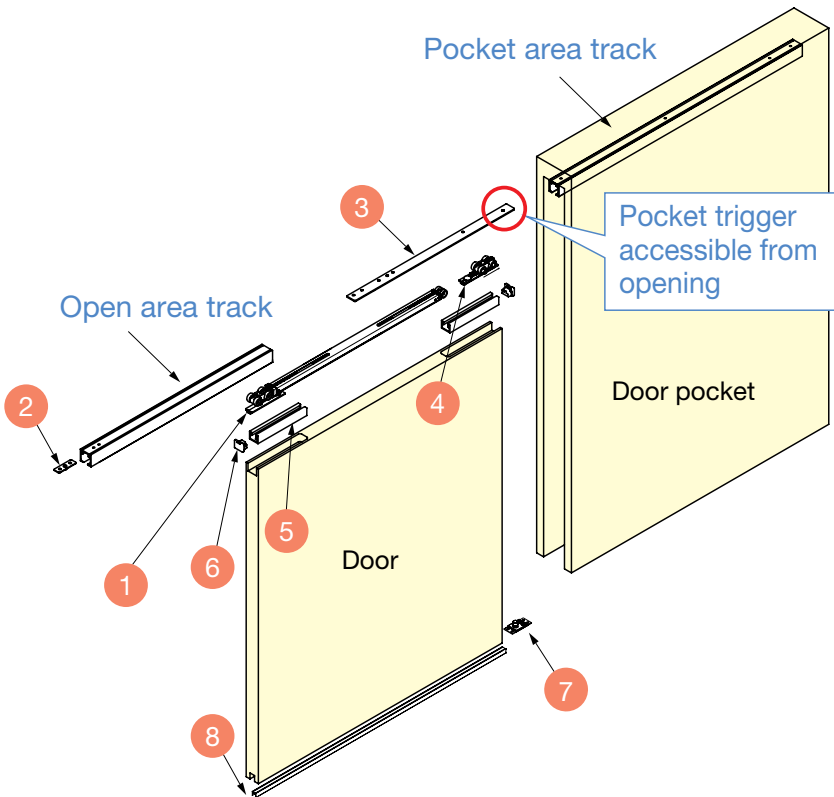
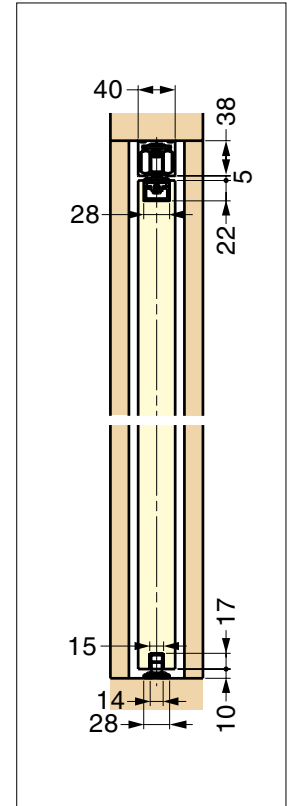
NOTE: Pocket Door Retail Kit (FD80PD-RM2-RT) includes hardware and 2160 mm track.

Door Installation



① Slide-in ② Turn & Fix

Surface Track
Top Recessed Roller



Parts Set (Per Door)		Necessary Parts
Item Code	Item Name	Description
250-029-771	FD80DHCHP-PD	Recessed Roller Two-Way Soft Close

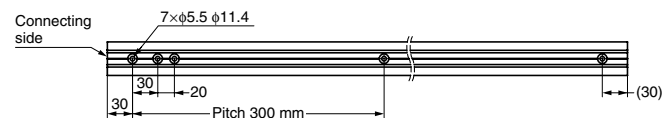
Parts Included

No.	Qty	Part Name	Dimensions	Description
1	1 pc	Recessed Mount Roller Two-Way Soft Close		Item Name: FD80-WRH-DSC · Material: Zinc Alloy (ZDC) / Polyacetal (POM) · Finish / Colour: Nickel / Black Remarks: Do not use the included trigger.
2	1 pc	Front Trigger		Item Name: FD80-TRGPF · Material: Stainless Steel (SUS304) · Finish: Plain
3	1 pc	Pocket Trigger		Item Name: FD80-TRGPB-MB · Material: Stainless Steel (SUS304) · Finish: Plain
4	1 pc	Recessed Roller		Item Name: FD80-WRH · Material: Zinc Alloy (ZDC) / Polyacetal (POM) · Finish / Colour: Nickel / Natural
5	2 pcs	Hanging Bracket (160 mm)		Item Name: FD70B-HB160 · Material: Aluminium Alloy · Finish: Anodized Silver · Screw: Pan Head Tapping Screw 5x40
6	2 pcs	End Cap		Item Code: 250-121-142 Item Name: FD70B-EC-BL · Material: Elastomer (TPE) · Colour: Black
7	1 pc	Floor Guide		Item Name: FD50-BGR18 · Material: Stainless Steel (SUS430) / Polyacetal (POM) · Finish / Colour: Polished / Natural · Screw: Raised Countersunk Head Tapping Screw 3.5x30
8	1 pc	Bottom Guide Rail (1500 mm)		Item Name: FD30-HBRT1500SIL · Material: Aluminium Alloy · Finish: Anodized Silver

Upper Track		Necessary Parts			
No.	Length	Item Code	Part Name	Dimensions	Desc.
9	1260 mm	FD80-TRP1260-SL	Upper Track 		· Material: Aluminium Alloy · Finish: Anodized Silver
10	2160 mm	FD80-TRP2160-SL			
11	2760 mm	FD80-TRP2760-SL			
12	3960 mm	FD80-TRP3960-SL			

Hole Dimensions of Upper Track

· In case of 1260 mm



· In case of 2160 mm, 2760 mm & 3960 mm

