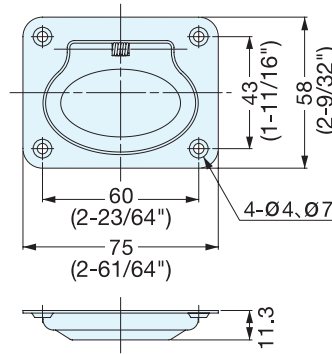


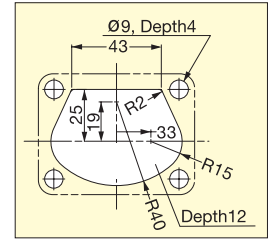
FOLDING RING PULL (SPRING LOADED)



980643



- The pull is recessed into the mounting plate keeping it flush with the mounting surface.
- Low profile design.
- Spring loaded-snaps flat to stay out of the way when not in use.
- Ideal for vibration or shock applications.



Item No.	Weight (g)	Box (pcs)	Carton (pcs)
980643	51	10	200

Material	Finish
304 Stainless Steel	Polished

FOLDING RING PULL (SPRING LOADED)



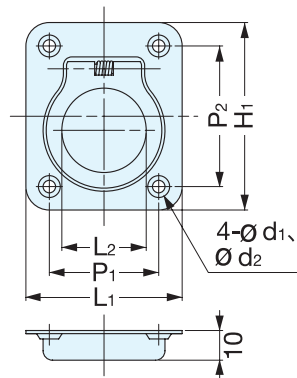
980641, 980642



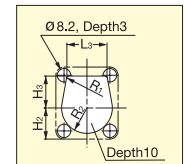
980642



980641



- The pull is recessed into the mounting plate keeping it flush with the mounting surface.
- Low profile design.
- Spring loaded-snaps flat to stay out of the way when not in use.
- Ideal for vibration or shock applications.



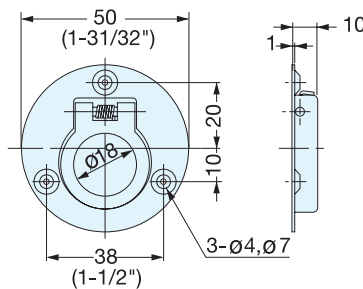
Material	Finish
304 Stainless Steel	Polished

Item No.	L ₁	L ₂	L ₃	H ₁	H ₂	H ₃	R ₁	ØR ₂	P ₁	P ₂	d ₁	d ₂	Weight(g)	Box (pcs)	Carton (pcs)
980641	38	18	24.5	44	19	19.5	14.2	31	28 (1-7/64")	34 (1-11/32")	3.6	6.2	21	10	500
980642	50	27	25.0	60	25	25.0	19.5	41	35 (1-3/8")	45 (1-25/32")	4.0	7.0	36		200

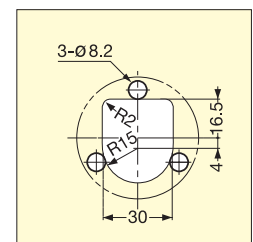
FOLDING RING PULL (SPRING LOADED)



980640



- The pull is recessed into the mounting plate keeping it flush with the mounting surface.
- Low profile design.
- Spring loaded-snaps flat to stay out of the way when not in use.
- Ideal for vibration or shock applications.



Item No.	Weight (g)	Box (pcs)	Carton (pcs)
980640	23	10	300

Material	Finish
304 Stainless Steel	Polished