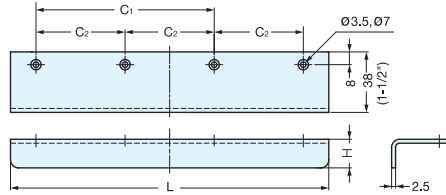


EDGE PULL



SN



Available in 3 finishes. Please specify finish when ordering.

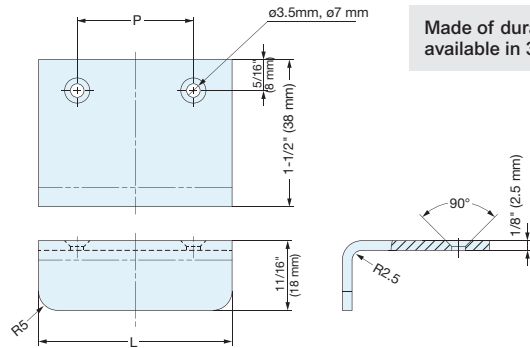
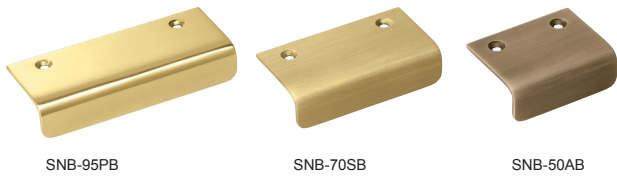
Material	Finish
304 Stainless Steel	Mirror (M)
	Satin (S)
	Black (BL)

Item No.	L	C ₁	C ₂	H	Holes	Weight (g)	Box (pcs)	Carton (pcs)
SN-50/M*	50 (1-31/32")	30 (1-3/16")	-	18 (11/16")	2	47	40	400
SN-70/M*	70 (2-3/4")	46 (1-13/16")	-			65	30	300
SN-95/M*	95 (3-47/64")	65 (2-9/16")	-		3	90	20	200
SN-120/M*	120 (4-23/32")	90 (3-35/64")	45			112	15	150
SN-150/M*	150 (5-29/32")	114 (4-31/64")	57			147		60
SN-200/M	200 (7-7/8")	112 (4-13/32")	56		4	200	10	40
SN-300/M	300 (11-13/16")	180 (7-3/32")	90			300		

* NSF Component

EDGE PULL

SNB



Made of durable brass available in 3 finishes

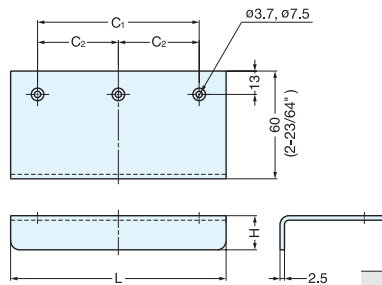
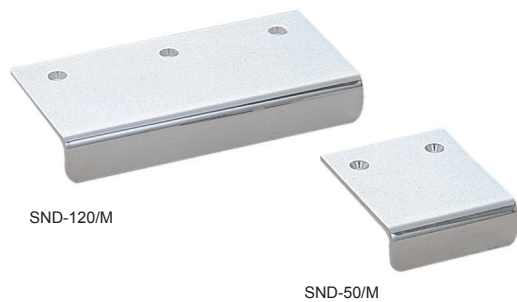
Item No.	L	P	Weight (g)	Box (pcs)	Carton (pcs)
SNB-50/PB	50 (1-31/32")	30 (1-3/16")	47	-	-
SNB-70/PB	70 (2-3/4")	46 (1-13/16")	65	-	-
SNB-95/PB	95 (3-47/64")	65 (2-9/16")	90	-	-

Material	Finish
Brass	Mirror (PB)
	Satin (SB)
	Antique Brass (AB)

EDGE PULL



SND



Material	Finish
304 Stainless Steel	Mirror

Item No.	L	C ₁	C ₂	H	Weight (g)	Box (pcs)	Carton (pcs)
SND-50/M*	50 (1-31/32")	30 (1-3/16")	-	17 (43/64")	67	10	200
SND-70/M*	70 (2-3/4")	46 (1-13/16")	-	18 (45/64")	95		
SND-95/M*	95 (3-47/64")	65 (2-9/16")	-	19 (3/4")	130		
SND-120/M	120 (4-23/32")	90 (3-35/64")	45		166	5	50
SND-150/M	150 (5-29/32")	114 (4-31/64")	57		208		

* NSF Component