

# SPLIT CABLE GROMMET

# LS-50S-S

MISCELLANEOUS

CABLE GROMMETS



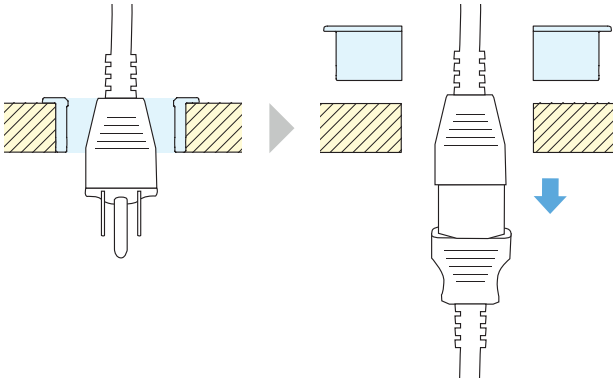
LS-50S-S-SN

LS-50S-S-DB

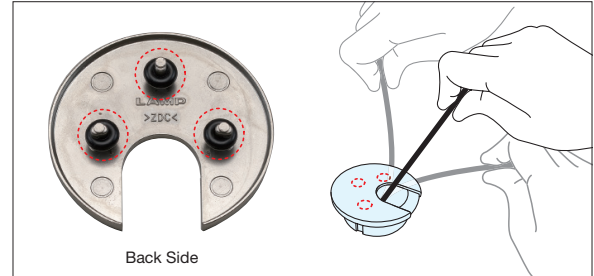
LS-50S-S-BL

- Large 1-1/4" opening that can easily split apart to accept larger plugs or connectors.
- Zinc die cast grommet for greater durability and aesthetics.
- The lid is equipped with a unique locking system. Rubber stoppers on the back side prevent the lid from turning or coming off unintentionally.
- Smaller split cable grommet (CHC-S) is also available.

### Split System Easy to replace cables.

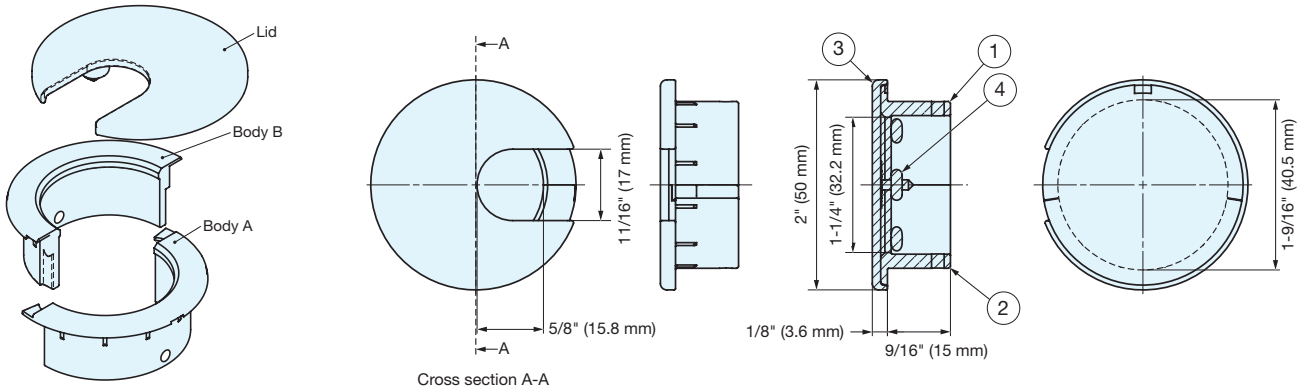


### Securely Hold the Lid

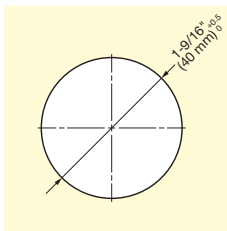


The rubber stoppers hold the lid in position even when cables are moved.

### Components



### Cut Out Dimensions



| No. | Part Name       | Material             | Finish             |
|-----|-----------------|----------------------|--------------------|
| ①   | Body A          | Zinc Alloy (ZDC)     | Satin Nickel       |
| ②   | Body B          |                      | Antique Brass      |
| ③   | Lid             |                      | Chrome/Matte Black |
| ④   | Rubber Stoppers | Nitrile Rubber (NBR) | Black              |

| Item No.    | Finish/Color       | Weight (g) | Box (pcs) | Carton (pcs) |
|-------------|--------------------|------------|-----------|--------------|
| LS-50S-S-SN | Satin Nickel       | 64         | 20        | 160          |
| LS-50S-S-DB | Antique Brass      |            | 20        | 160          |
| LS-50S-S-BL | Chrome/Matte Black |            | 20        | 160          |