

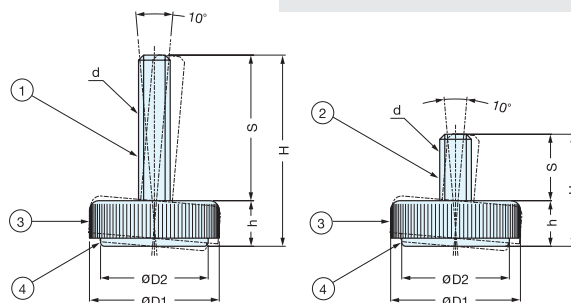
LEVELING GLIDE

LOAD CAPACITY
60-80 kg
132-176 lbs

MKR-N



- Base adjusts up to 10°, maintaining balance even on lightly sloping surfaces.
- Design allows for easy height adjustment.
- Durable unit distributes load evenly.
- Base coated with non-slip synthetic rubber that reduces floor damage.



MKR-N50M10H60

Other Glides

| No. | Part Name | Material | Finish |
|-----|-----------|-----------|----------------------|
| ① | Bolt | Steel | Yellow Zinc Chromate |
| ② | Bolt | Steel | Chrome |
| ③ | Cover | Polyamide | Black |
| ④ | Base | Elastomer | Black |

*For MKR-N50M10H60, Bolt is available only with a Yellow Zinc Chromate finish.

| Item No. | d | D ₁ | D ₂ | H | h | S | Load Capacity (kg) | Weight (g) | Box (pcs) | Carton (pcs) |
|---------------|------|----------------|----------------|-----------------|------|------|--------------------|------------|-----------|--------------|
| MKR-N32M10 | M10 | 33 (1-5/16") | 27 | 36.0 (1-13/32") | 14.0 | 22.0 | 60 (132 lbs) | 35 | 80 | 480 |
| MKR-N32N3 | W3/8 | | | | | | | 45 | | |
| MKR-N40M10 | M10 | 41 (1-5/8") | 34 | 37.0 (1-29/64") | 15.0 | | 70 (154 lbs) | 40 | 50 | 300 |
| MKR-N40N3 | W3/8 | | | | | 40 | | | | |
| MKR-N50M10 | M10 | 51 (2") | 44 | 37.5 (1-31/64") | 15.5 | 44.5 | 80 (176 lbs) | 60 | 20 | 120 |
| MKR-N50M10H60 | M10 | | | 60.0 (2-3/8") | | | | | | |
| MKR-N50N3 | W3/8 | | | 37.5 (1-31/64") | | | | 22.0 | | |

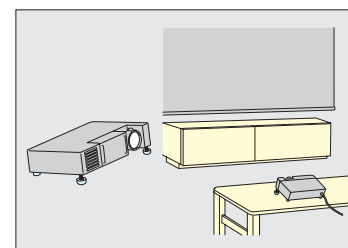
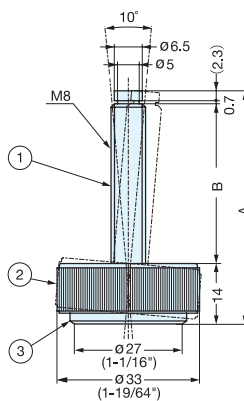
LEVELING GLIDE

LOAD CAPACITY
46 kg
100 lbs

MKR-N32



- Base adjusts up to 10°, maintaining balance even on lightly sloping surfaces.
- Design allows for easy height adjustment.
- Durable unit distributes load evenly.
- Base coated with non-slip synthetic rubber that reduces floor damage.



Application

| No. | Part Name | Material | Finish |
|-----|-----------|-----------|-----------|
| ① | Bolt | Steel | Chromate |
| ② | Cover | Polyamide | Dark Grey |
| ③ | Base | Elastomer | Black |

| Item No. | Color | A | B | Load Capacity (kg) | Weight (g) | Box (pcs) | Carton (pcs) |
|-------------|-----------|---------------|--------------|--------------------|------------|-----------|--------------|
| MKR-N32DG32 | Dark Gray | 47 (1-7/8") | 30 (1-3/16") | 46 (100 lbs) | 31 | 50 | 300 |
| MKR-N32GR32 | Gray | | | | | | |