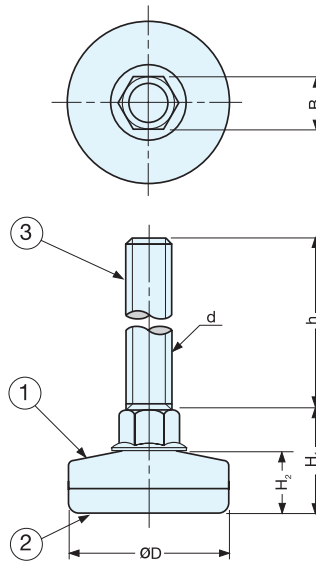


# LEVELING GLIDE



**LOAD CAPACITY**  
140 kg  
308 lbs

**TN**



No.	Part Name	Material	Finish
①	Body	Steel	Chrome
②	Base	Polypropylene	Natural
③	Bolt	Steel	Clear Zinc Chromate

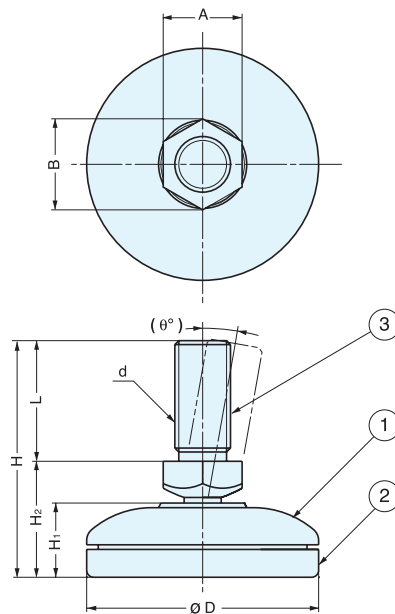
Item No.	D	H <sub>1</sub>	H <sub>2</sub>	h	d	B	Load Capacity (kg)	Weight (g)	Box (pcs)	Carton (pcs)
TN-25S	25.0	21.0	12.0	60	M10x1.5	13	140 (308 lbs)	50	50	500
TN-35S	35.0	22.5	13.5					60	30	300
TN-45S	43.5							70	20	260

# LEVELING GLIDE (PARTS SEPARABLE)

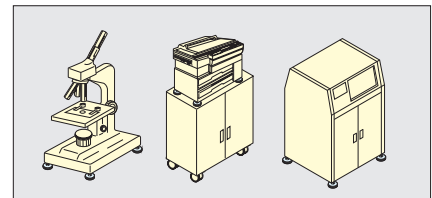
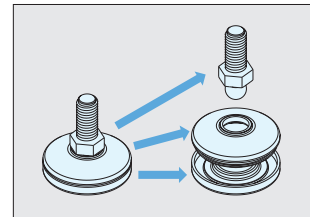


**LOAD CAPACITY**  
50-270 kg  
110-594 lbs

**EA**



- Bolt swivels to compensate for uneven floors.
- Parts can be easily separated for recycling purpose.



Installation

No.	Part Name	Material	Finish
①	Body	ABS	Dark Grey
②	Base		
③	Bolt	Steel	Chromate

Item No.	A	B	D	H	H <sub>1</sub>	H <sub>2</sub>	L	θ°	d	Load Capacity (kg)	Weight (g)	Box (pcs)	Carton (pcs)
EA-25M 6	8	9.2	25	31.0	8.5	14.0	17.0	10.0	M 6 x 1.0	50 ( 110 lbs )	10	120	1200
EA-30M 8	10	11.5	30	37.5	10.5	17.0	20.5	15.0	M 8 x 1.25	100 ( 220 lbs )	20	80	800
EA-40M 10	13	15.0	40	42.5	13.0	20.5	22.0	12.5	M10 x 1.5	130 ( 286 lbs )	32	40	400
EA-50M 12	17	19.6	50	51.0	16.0	25.0	26.0	10.0	M12 x 1.75	270 ( 594 lbs )	60	20	200