

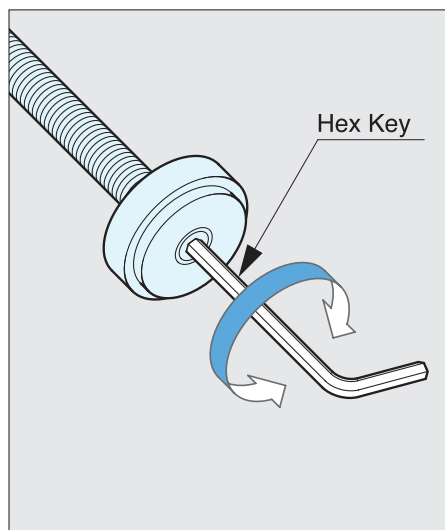
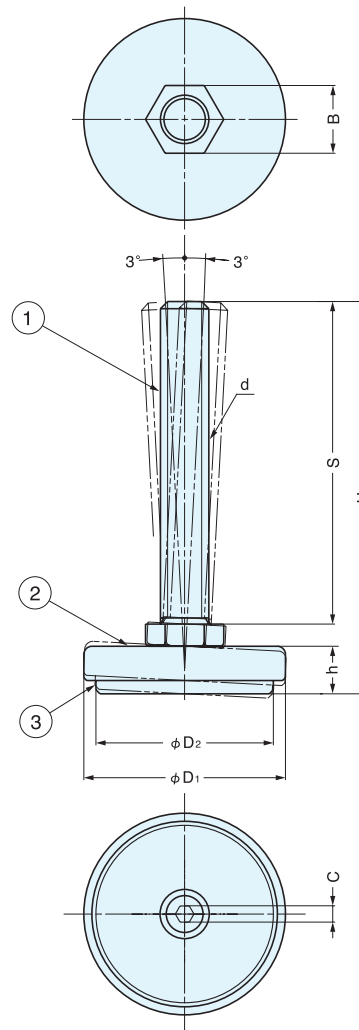
# LEVELING GLIDE

**LOAD CAPACITY**  
60-200 kg  
132-440 lbs

**TEST 12**  
P.698

**MKRL**

- Double structure of cover/bolt and base allow easy height adjustment without lifting the leg.
- Has hex socket on bottom for allen key to allow easy installation.



Height can be adjusted by 4mm hex key (not included)

No.	Part Name	Material	Finish
①	Bolt	Steel	Black Zinc Chromate
②	Cover		
③	Base	Elastomer	Black

Item No.	D <sub>1</sub>	D <sub>2</sub>	H	h	S	B	C	d	Load Capacity (kg)	Weight (g)	Box (pcs)	Carton (pcs)
MKRL- 32-10- 80 B6	32	27.0	95.8	10.8	80.0	17	4	M10x1.5	60 (132 lbs)	77	30	300
MKRL- 32-12- 66 B6	32	27.0	81.8	10.8	66.0	17	4	M12x1.75	75 (165 lbs)	84	30	300
MKRL- 32-12- 80 B6	32	27.0	95.8	10.8	80.0	17	4	M12x1.75	60 (132 lbs)	94	30	300
MKRL- 40-10- 80 B6	40	34.0	96.2	11.2	80.0	17	4	M10x1.5	60 (132 lbs)	95	25	250
MKRL- 40-12- 32 B6	40	34.0	48.2	11.2	32.0	17	4	M12x1.75	60 (132 lbs)	78	30	300
MKRL- 40-12- 43 B6	40	34.0	59.0	11.2	43.0	17	4	M12x1.75	60 (132 lbs)	86	25	250
MKRL- 40-12- 55 B6	40	34.0	71.2	11.2	55.0	17	4	M12x1.75	60 (132 lbs)	94	25	250
MKRL- 40-12- 80 B6	40	34.0	96.2	11.2	80.0	17	4	M12x1.75	60 (132 lbs)	112	25	250
MKRL- 50-10- 80 B6	50	44.0	96.8	11.8	80.0	17	4	M10x1.5	60 (132 lbs)	122	20	200
MKRL- 50-12- 80 B6	50	44.0	96.8	11.8	80.0	17	4	M12x1.75	60 (132 lbs)	138	20	200
MKRL- 50-12- 120 B6	50	44.0	136.8	11.8	120.0	17	4	M12x1.75	60 (132 lbs)	168	10	100
MKRL- 50-16- 78 B6	50	44.0	100.3	11.8	78.5	24	4	M16x2.0	80 (176 lbs)	214	15	120
MKRL- 70-20- 101 B6	70	64.0	124.5	11.5	101.0	30	4	M20x2.5	80 (176 lbs)	448	8	64
MKRL- 100-20- 76 B6	100	92.5	101.0	12.5	76.0	30	6	M20x2.5	200 (440 lbs)	557	6	24
MKRL- 100-20- 101 B6	100	92.5	126.0	12.5	101.0	30	6	M20x2.5	200 (440 lbs)	609	6	24