

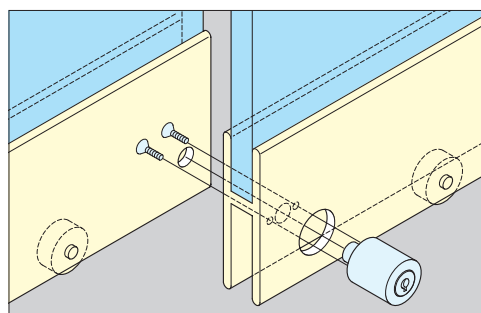
PUSH LOCK



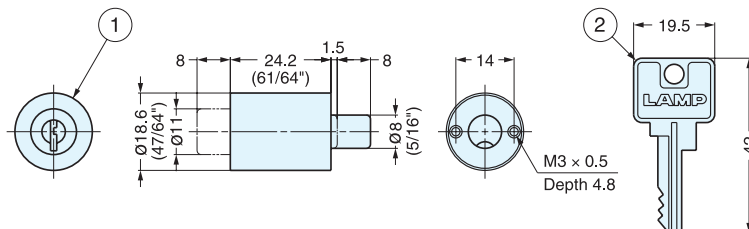
2150B



- Zinc alloy cylinder push lock for metal-framed glass door or sheet metal double sliding doors.
- Push cylinder to lock.
- Cylinder Diameter: 18.6 mm (47/64")
- 24 key changes available; Please specify keyed alike or differently when ordering.
- Master key NOT available.



Installation



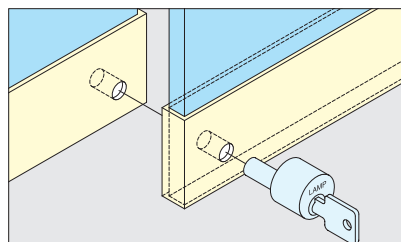
Item No.	Metal Frame Thickness	Weight (g)	Box (pcs)	Carton (pcs)	No.	Part Name	Material	Finish
2150B	24 (15/16")	50	24	240	①	Body	Zinc Alloy	Nickel
					②	Key	Brass	

PUSH LOCK

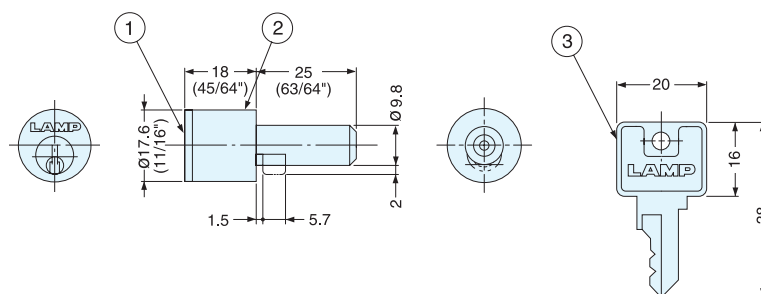
6300



- Zinc alloy cylinder push lock for metal-framed glass doors.
- Easy installation. 10 mm hole required on door.
- Cylinder Diameter: 17.6 mm (11/16")
- Bolt Length: 25 mm (63/64")
- Bolt Diameter: 9.8 mm (25/64")
- 96 key changes available; Please specify keyed alike or differently when ordering.
- Master key NOT available.
- For material thickness is 1.2 mm.



Installation



No.	Part Name	Material	Finish
①	Body	Zinc Alloy	Satin Nickel
②	Cover	Brass	Nickel
③	Key		

Item No.	Metal Frame Thickness	Cylinder Diameter	Key Changes	Keys Included	Weight (g)	Box (pcs)	Carton (pcs)
6300	19 (3/4")	17.6 (11/16")	96	2	50	24	240