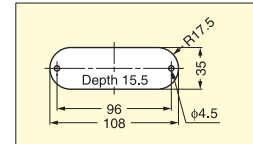
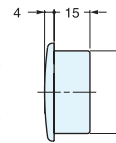
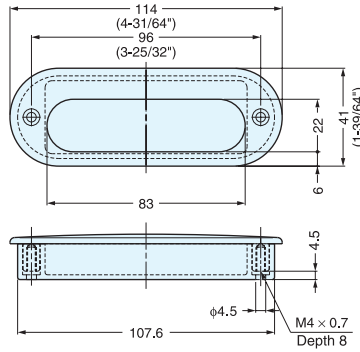


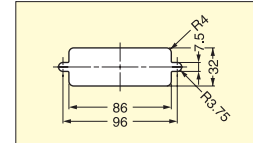
# RECESSED PULL



# HH-D



Bore Dimensions for wood panel.



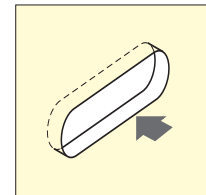
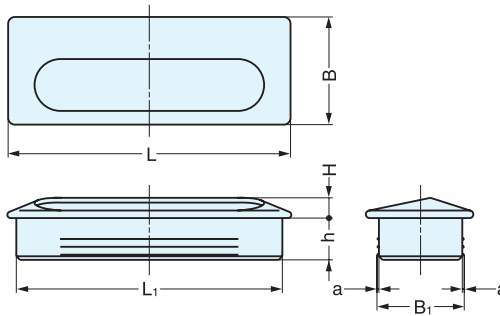
Cut Out Dimensions for sheet metal. Put sheet metal between front and back part for sheet metal applications. (Max. sheet metal thickness: 2 mm)

Item No.	Weight (g)	Box (pcs)	Carton (pcs)	Material	Finish/Color
HH-D	85	10	60	316 Stainless Steel	Mirror
				ABS	Black

# RECESSED PULL



# UT



Installation

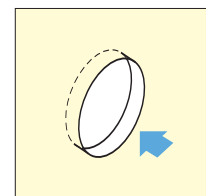
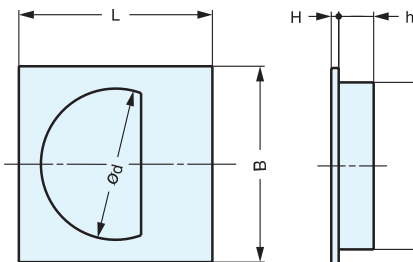
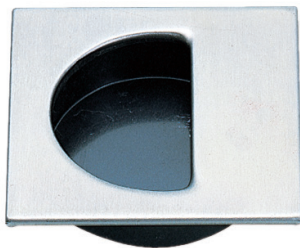
Item No.	L	L <sub>1</sub>	H	h	B	B <sub>1</sub>	a	Weight (g)	Box (pcs)	Carton (pcs)	Material	Finish/Color
UT- 75/S	75 ( 2-61/64" )	71	7.0	15.5	36	30.8	0.4	15	40	400	304 Stainless Steel	Satin (S)
UT-105/S	105 ( 4-1/8" )	99	7.5	15.5	40	32.5	0.5	30	25	250	Brass (UT-105/PB only)	Brass (PB)/(UT-105/PB)
UT-140/S	140 ( 5-33/64" )	134	7.5	15.5	47	40.5	0.5	45	15	150	Plastic	Black
<del>UT-105/PB</del>	<del>105 ( 4-1/8" )</del>	<del>99</del>	<del>7.5</del>	<del>15.5</del>	<del>40</del>	<del>32.5</del>	<del>0.5</del>	<del>30</del>	<del>25</del>	<del>250</del>		

DISCONTINUED

# RECESSED PULL



# SP



Installation

Material	Finish/Color
304 Stainless Steel	Satin (S)
Brass (SP-35/PB only)	Polished Brass (SP-35/PB)
Plastic	Black

Item No.	L	B	H	h	D	d	Weight (g)	Box (pcs)	Carton (pcs)
SP-35/S	44 ( 1-47/64" )	44 ( 1-47/64" )	2.2	9.8 ( 25/64" )	35.1	31	10	100	1000
SP-38/S	47 ( 1-27/32" )	47 ( 1-27/32" )		10.3 ( 13/32" )	37.6	34	11	60	1440
SP-48/S	57 ( 2-1/4" )	57 ( 2-1/4" )		48.6	44	16	50	1200	
SP-35/PB	44 ( 1-47/64" )	44 ( 1-47/64" )		9.8 ( 25/64" )	35.1	31	10	100	1000