

CABINET LOCK (W/BUILT-IN KEY CHANGE)



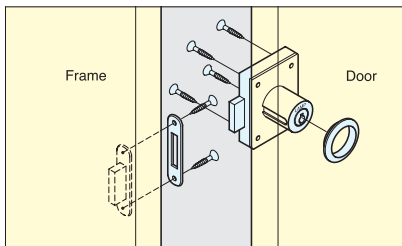
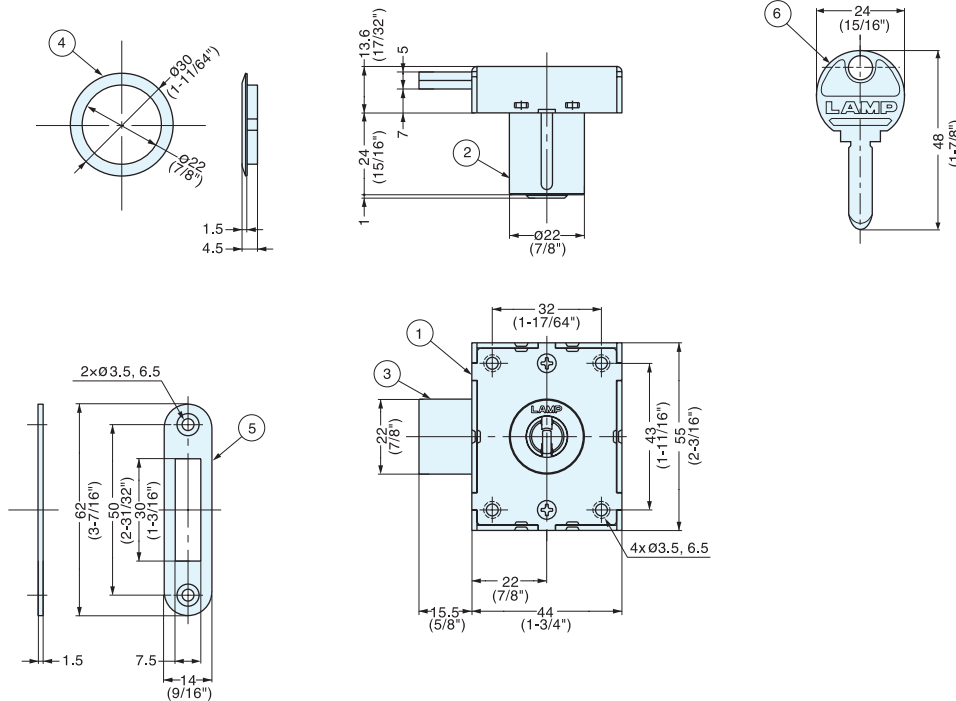
8810-24

LOCKS

CABINET LOCKS (W/BUILT-IN KEY CHANGE)



- Lock's key number can be changed in place without removing the lock.
- Cost effective hardware where retrieving keys can be problematic, such as lockers, laundry rooms, etc.
- Change each lock's key number up to 2 times.
- High security dimple key.
- Up to 3 million key changes available. (3,000 key changes per master key.)
- Please specify keyed alike or differently when ordering.
- Master key available at a surcharge.
- Includes screws and original keys.
- 36 mm cylinder models available as special order items.



Installation for door

How it works:

- Each lock includes keys for the original key number only. (Change keys sold separately)
- To change the lock's key number, enter the new key and rotate 360°.
- After changing the lock's key number, the previously used key cannot open the lock.
- 1st and 2nd change keys are sold separately.

Master Key System:

- Master keys for each key number change are available. (Sold separately)
- Master keys must be also changed after the lock's key number is changed.
- If only some of the locks' key numbers in a master key system are changed, multiple master keys for that portion should still be kept.

No.	Part Name	Material	Finish
①	Body	430 Stainless Steel	Satin
②	Cylinder Housing	Brass	Satin Nickel
③	Dead Bolt	430 Stainless Steel	Plain
④	Ring	Brass	Nickel
⑤	Counterplate	430 Stainless Steel	Satin
⑥	Key	Nickel Silver	Polished

Item No.	Door Thickness	Weight (g)	Box (pcs)	Carton (pcs)
8810-24	22~24	190	12	60
8810-24MK	(7/8" ~ 15/16")			