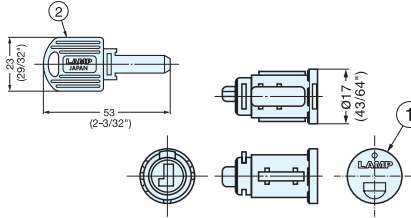
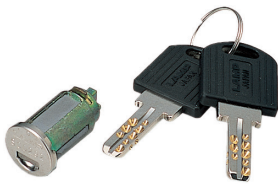


INTERCHANGEABLE CYLINDER KEY



MD-N1



- Cylinder and key set for 1830, 6830 and 1330GL locks.
- Interchangeable feature allows easy cylinder replacement in case key is lost.
- Up to 7,800 key changes available. (750 key changes per master key.)
- Keyed Alike (KA) or Keyed Different (KD) available. Please specify when ordering.

Item No.	Component	Weight (g)	Box (pcs)	Carton (pcs)	Component	Material	Finish
MD-N1	Cylinder	21	12	60	Cylinder	304 Stainless Steel/Zinc Alloy	Polished/Yellow Zinc Chromate
	Key	12			Key	Brass/ABS	Nickel/Black

INTERCHANGEABLE CYLINDER KEY



MD-MK1, K1



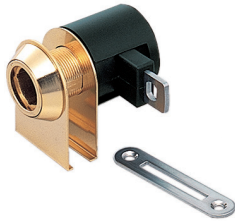
- MD-MK1 - Master key for easy key management.
- MD-K1 - Key to remove existing cylinder only. Does NOT open lock.

Item No.	Key Type	Weight (g)	Box (pcs)	Carton (pcs)	Material	Finish/Color
MD-MK1	Master Key	12	1	10	Brass/ABS	Nickel/Black
MD-K1	Change Key					

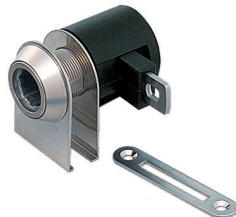
GLASS DOOR CAM LOCK



1330GL-MK

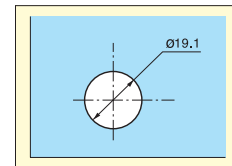
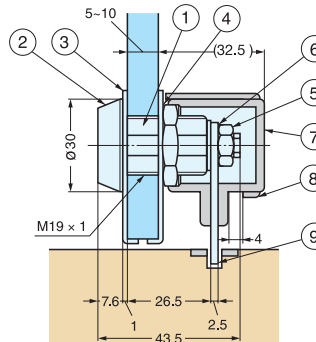
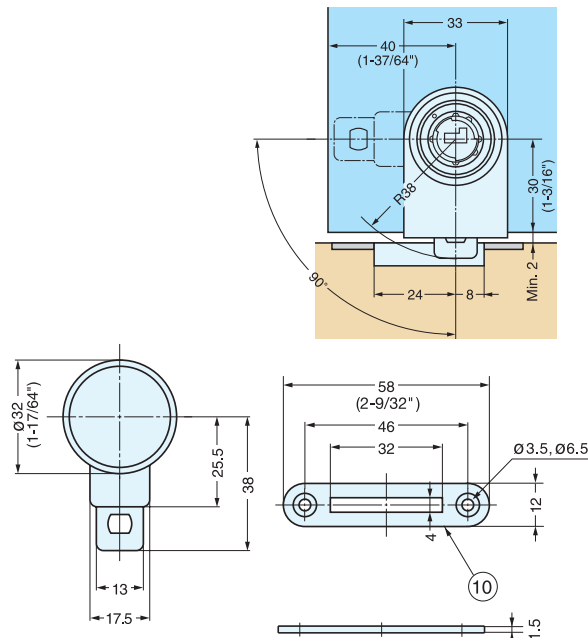


1330GL-MK/GA

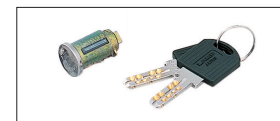


1330GL-MK/DN

- Glass door cam lock with interchangeable cylinder. (Please see page P.620 for details.)
- Cylinder can be changed by using change key MD-K1.
- Easy to replace cylinder in case key is lost. Note: Cylinder housing only. Interchangeable Cylinder MD-N1 must be ordered for a complete assembly.
- Up to 7,800 key changes available. (750 key changes per master key.)



Cut Out Dimension



Master Key, Interchangeable Cylinder, Interchangeable Cylinder Key are sold separately.

No.	Part Name	Material	Finish
①	Cylinder Housing	Zinc Alloy	Satin Nickel (DN)/Gold (GA)
②	Front Ring	Brass	
③	Front Plate	304 Stainless Steel	Satin Nickel (DN)/Gold
④	Large Hex Nut	Steel	Yellow Zinc Chromate
⑤	Small Hex Nut		Chromate
⑥	Washer	Polypropylene	Black
⑦	Case Cover		Black
⑧	Ring	304 Stainless Steel	Polished
⑨	Cam		
⑩	Counterplate		

Item No.	Glass Thickness (mm)	Finish	Weight (g)	Box (pcs)	Carton (pcs)
1330GL-MK/GA	5~10	Gold (GA)	130	12	60
1330GL-MK/DN	(3/16"~3/8")	Satin Nickel (DN)			