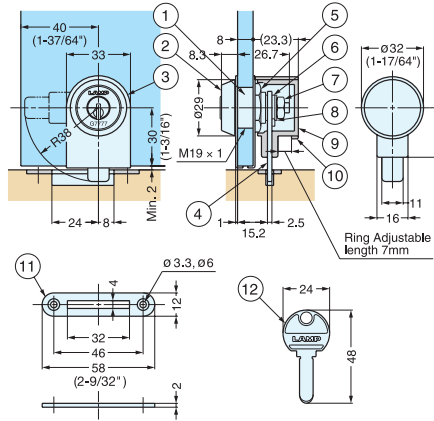


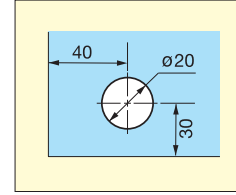
GLASS DOOR CAM LOCK



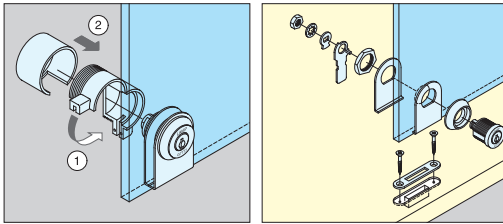
1300GL



- Dimple key lock series ideal for showcase application.
- High security reversible key. (3 keys supplied)
- 1 million key changes available; please specify keyed alike or differently when ordering.
- Master key system available at surcharge. (Max. 2,520 key changes per master key.)



Cut Out Dimension



Installation

Item No.	Glass Thickness (mm)	Weight (g)	Box (pcs)	Carton (pcs)
1300GL	5~8 (3/16"~5/16")	140	12	60

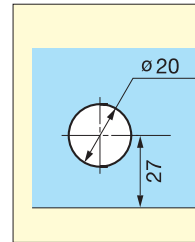
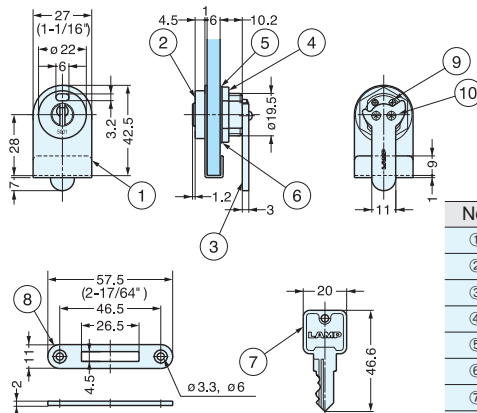
No.	Part Name	Material	Finish
①	Body	Brass	Satin Nickel
②	Ring		
③	Front Plate	304 Stainless Steel	Polished
④	Cam		
⑤	Hex Nut	Steel	Silver
⑥	Washer	Brass	Nickel
⑦	Hex Nut	Steel	Silver
⑧	Washer		
⑨	Case Cover	Polypropylene	Black
⑩	Ring		
⑪	Counterplate	303 Stainless Steel	Polished
⑫	Key	Brass	Nickel

GLASS DOOR CAM LOCK (W/INDICATOR)

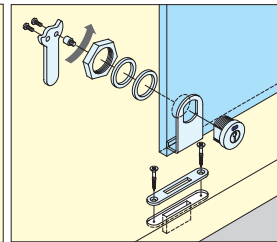
2200GL



- Brass cylinder lock with 2 keys.
- Locked/Unlocked Indicator
- Unlocked: Blue
- Locked: Red
- Master key system (2200 GLMK) available at surcharge.
- Key can be shared with other 2200 series locks.
- 12 key changes available; please specify keyed alike or differently when ordering.



Cut Out Dimension



Installation

Item No.	Glass Thickness (mm)	Weight (g)	Box (pcs)	Carton (pcs)
2200GL	4~6 (5/32"~1/4")	75	12	120

No.	Part Name	Material	Finish
①	Front Plate	303 Stainless Steel	Polished
②	Body	Brass	Nickel
③	Cam	Steel	
④	Hex. Nut	Brass	
⑤	Plastic Washer	Polyamide	Natural
⑥	Washer	Steel	Chrome
⑦	Key	Brass	Nickel
⑧	Counterplate	Steel	Chrome
⑨	Pin	Brass	Plain
⑩	Screw	Steel	Nickel(M2.5x8)