

# SELF CLOSING GLASS SLIDING DOOR SYSTEM ( Door Weight 66 ~ 176 lbs ) **LM-80G**

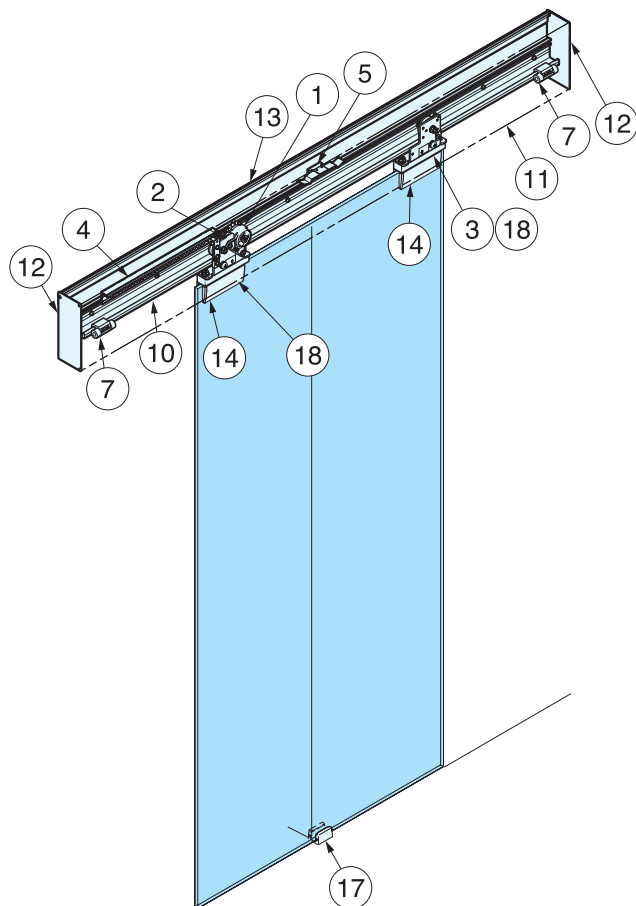
SLIDING & FOLDING  
DOOR HARDWARE

SELF CLOSING GLASS SLIDING DOOR SYSTEM ( DOOR WEIGHT 66~176 LBS )

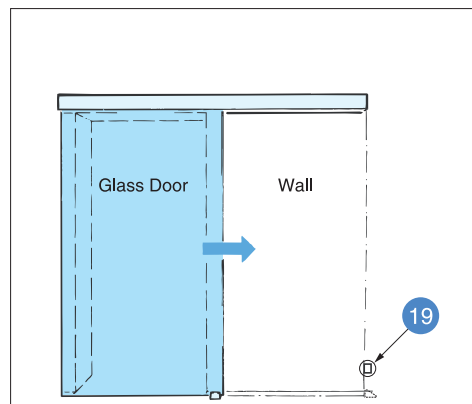


Item No.	LM-80G
Door Width	700~1200 mm (27-9/16"~47-1/4")
Door Thickness	8~12 mm
Door Weight	30~80 kg/Door (66~176 lbs/door)
Door Travel	Max. 1100 mm (in case of door width 1200 mm) Max. 43-5/16" (in case of door width 47-1/4")

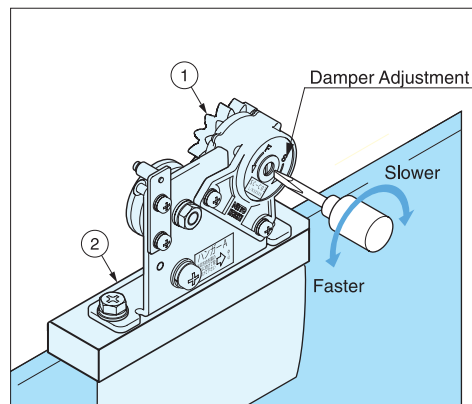
- Self closing sliding door system – no electricity required
- Equipped with damper for smooth and soft closing, eliminating slamming.
- No-pre-drilled holes on glass needed for installation.
- Door catch included to hold door in fully open position.



## ■ Door Stopper



## ■ Speed Adjustment



Closing speed adjustable by turning adjustment screw on damper.