

SELF AND SOFT-CLOSE FOLDING DOOR SYSTEM



SFD

SLIDING & FOLDING DOOR HARDWARE

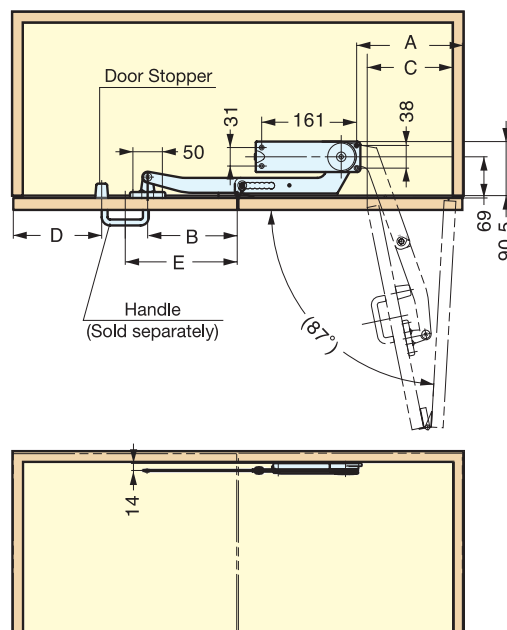
SELF AND SOFT-CLOSE FOLDING DOOR SYSTEM



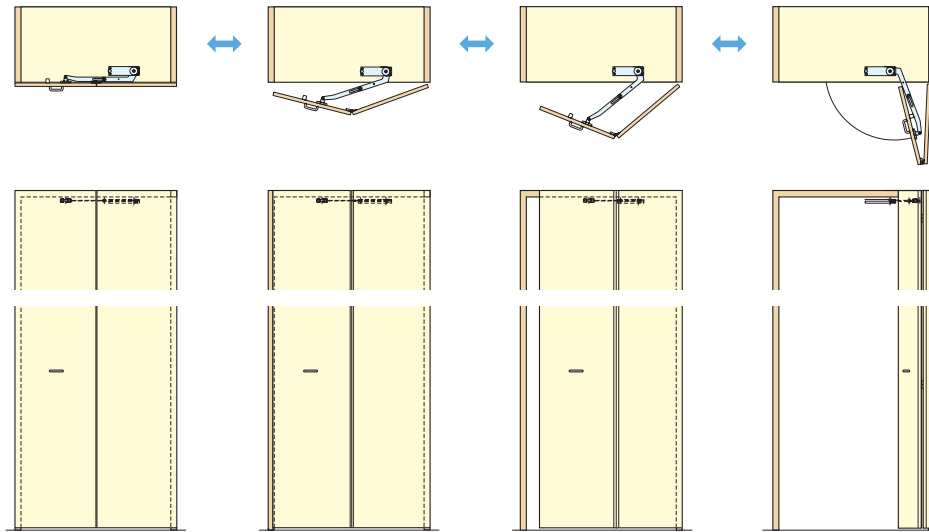
- Unique soft close mechanism ideal for cabinets.
- Dampening mechanism provides smooth and soft close movement.
- No guide rail on top and bottom.
- Arm length adjustable to fit different door width.
- Easy Installation.

Item No.	Door Height	Door Width	Door Weight	Door Thickness
SFD-3L-R (Right Open)	Max. 2600 mm (102-3/8")	380~460 mm (14-61/64"~18-7/64") / Door	Max. 8 kg (17.6 lbs) / Door	20 mm (3/4")
SFD-3L-L (Left Open)				

Door Width	Applicable Door Width	Arm Adjustment point	A	B	C	D	E
380	375~385	1	179.5	152	(145)	(150)	(190)
390	385~395	2	184.5	155	(150)	(155)	(195)
400	395~405	3	189.5	158	(154)	(160)	(200)
410	405~415	4	194.5	161	(158)	(165)	(205)
420	415~425	5	199.5	164	(162)	(170)	(210)
430	425~435	6	204.5	167	(168)	(170)	(215)
440	435~445	7	209.5	170	(172)	(175)	(220)
450	445~455	8	214.5	173	(177)	(180)	(225)
460	455~465	9	219.5	176	(181)	(180)	(230)



Door Opening / Closing

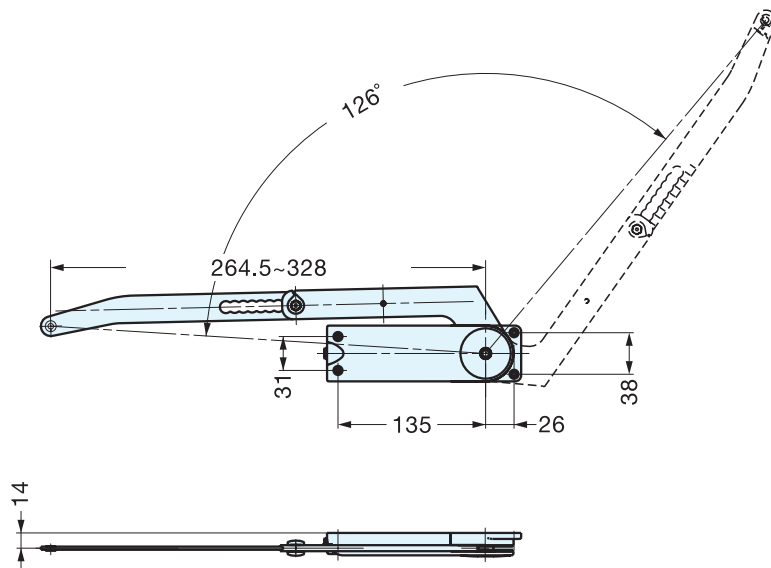


Door Height	Required Quantity	
	Center Hinge ②	Concealed Hinge ④ Plate ③
~500 mm	2	2
500~1000 mm	2	3
1000~1500 mm	3	4
1500~2000 mm	4	5
2000~2600 mm	4	6

Part Details

No.	Item No.	Part Name	Image	Dimensions	Quantity	Description
①	SFD-3L-R/L (Right Open is shown)	Soft Closing Door Mechanism		Dimension 1 (P.576)	1 pc	Reference 1 (P.576)
②	CH-75/NI	Center Hinge		Dimension 2 (P.576)	Necessary quantity (see table)	Reference 2 (P.576)
	CH-75/GB					
③	230-P4W-32T	Mounting Plate		Dimension 3 (P.576)	Necessary quantity (see table)	Reference 3 (P.576)
④	H230-26/16T	Overlay Door Concealed Hinge		Dimension 4 (P.577) Dimension 5 (P.577)	Necessary quantity (see table)	Reference 4 (P.577)
	H230-26/0T	Inset Door Concealed Hinge				Reference 5 (P.577)

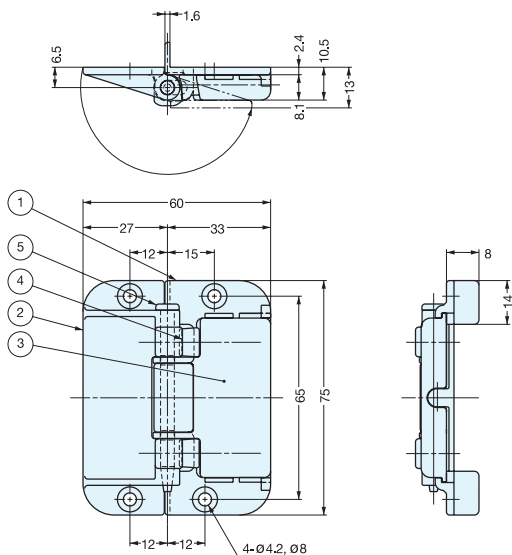
Dimension 1



Reference 1

Item No.	Material	Finish/Color
SFD-3L-R/L	Steel, ABS	Nickel, Light Grey

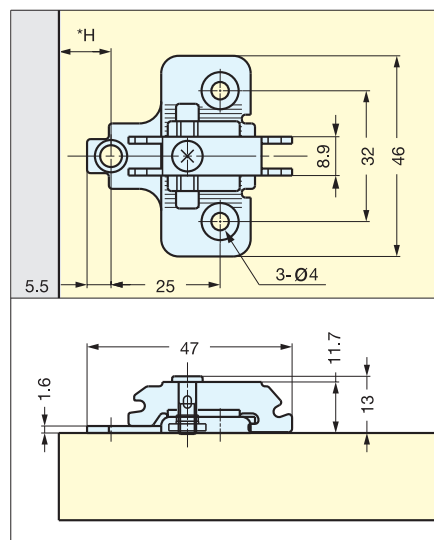
Dimension 2



Reference 2

No.	Part Name	Material	Finish/Color
①	Body A	Zinc Alloy	Nickel (NI)
②	Body B	Zinc Alloy	Bronze (GB)
③	Catch	Polyamide	Brown
④	Latch	Polyamide	Black
⑤	Shaft	Steel	Black

Dimension 3

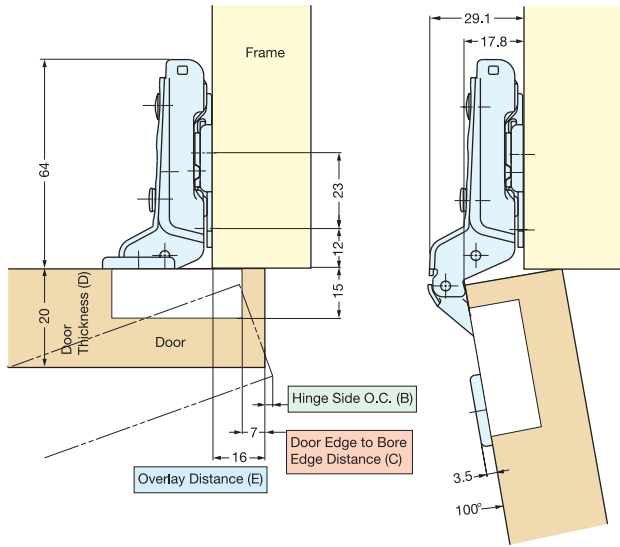


*Overlay use: H=12mm
Inset use: H=Door Thickness+17mm

Reference 3

Item No.	Material	Finish/Color
230-P4W-32T	Steel	Nickel

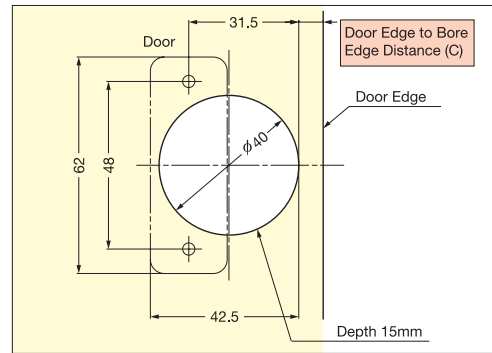
Dimension 4



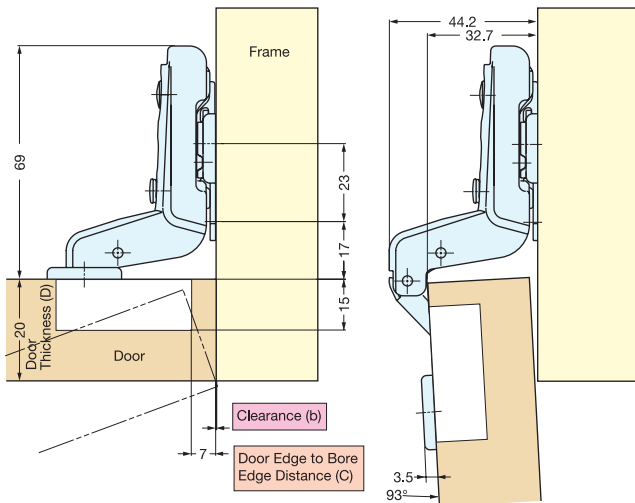
Reference 4

Item No.	Material		Finish/Color		
H230-26/16T	Steel		Nickel		
Door Edge to Bore Edge Distance (C)	3	4	5	6	7
Overlay Distance (E)	12	13	14	15	16
Door Thickness (D)	Door Edge to Bore Edge Distance (C)				
	3	4	5	6	7
18	0.2	0.2	0.2	0.2	0.2
20	0.3	0.3	0.3	0.3	0.3
Hinge Side O.C. (B)					

Bore Dimension



Dimension 5



Reference 5

Item No.	Material		Finish/Color		
H230-26/0T	Zinc Alloy, Steel		Nickel		
Door Edge to Bore Edge Distance (C)	3	4	5	6	7
Clearance (b)	4.3	3.3	2.3	1.3	0.3
Door Thickness (D)	Door Edge to Bore Edge Distance (C)				
	3	4	5	6	7
18	0	0	0	0	0
20	0	0	0	0	0
Hinge Side O.C. (B)					

Bore Dimension

