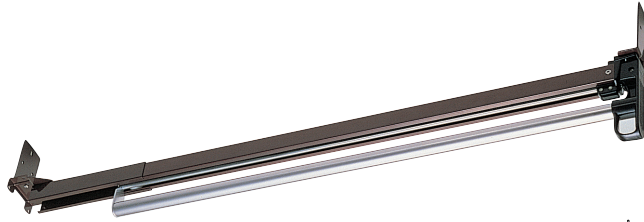


EXTENSION HANGER

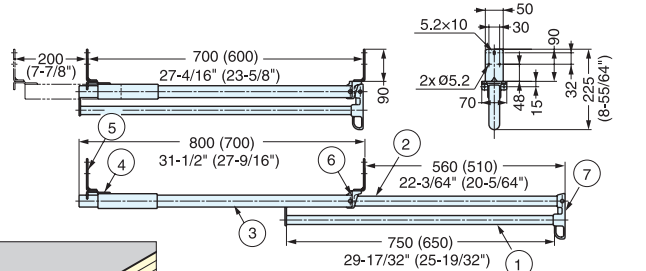
LOAD CAPACITY
20 kg
44 lbs

4.5x20
STEEL

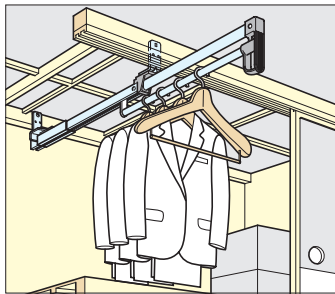
TE-700, TE-800



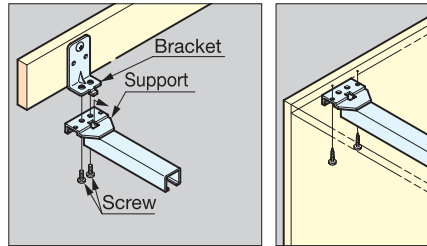
- Space-saving, undermount design for deep, narrow spaces.
- Use L-brackets (included) for side-mount.
- 7-7/8" rear support can be adjusted for shorter/longer spaces.
- Includes 3/4" (M4.5 x 20) long screws.



():TE700



Installation



No.	Part Name	Material	Finish
①	Hanger Rod	Steel	Chrome
②	Rod Retainer		Brown
③	Retainer		
④	Support		
⑤	Bracket	Plastic	Black
⑥	Cap		
⑦	Pull		

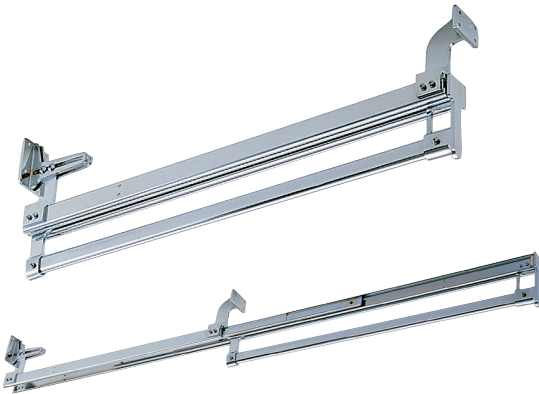
Item No.	Load Capacity (kg)	Weight (g)	Box (pcs)	Carton (pcs)
TE-700	20 (44 lbs)	2400	1	6
TE-800		2700		

HEAVY DUTY EXTENSION HANGER

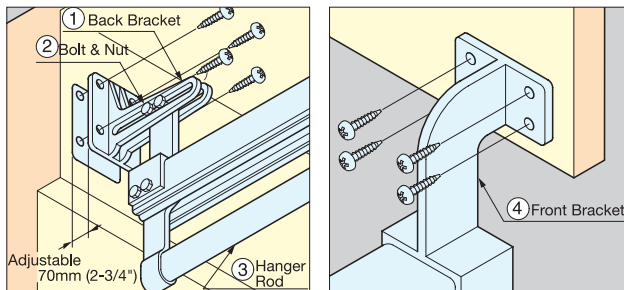
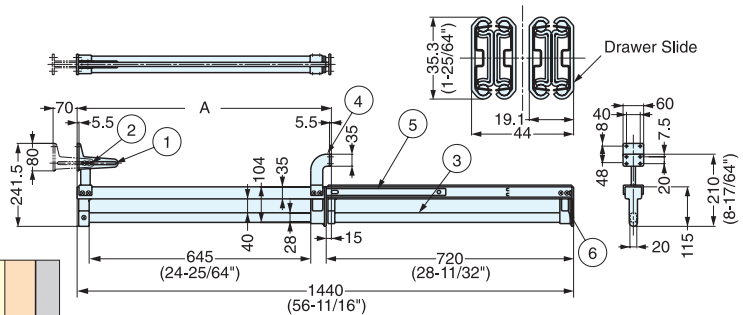
LOAD CAPACITY
41 kg
90 lbs

4.5x20
STEEL

SH740



- Space-saving, undermount design for narrow spaces.
- Bracket that incorporates drawer slide allows smooth movement.
- Back mounting bracket can be adjusted for shorter/longer spaces. (2-3/4")
- Includes 3/4" (M4.5 x 20) long screws.



No.	Material	Finish
①	Brass	Chrome
②	Steel	
③	Steel	
④	Brass	
⑤	Steel	
⑥	Brass	

Item No.	Load Capacity (kg)	Weight (g)	Box (pcs)	Carton (pcs)
SH740	41 (90 lbs)	5400	1	2

DISCONTINUED

www.sugatsune.com

1-800-562-5267
(U.S.A. Only)