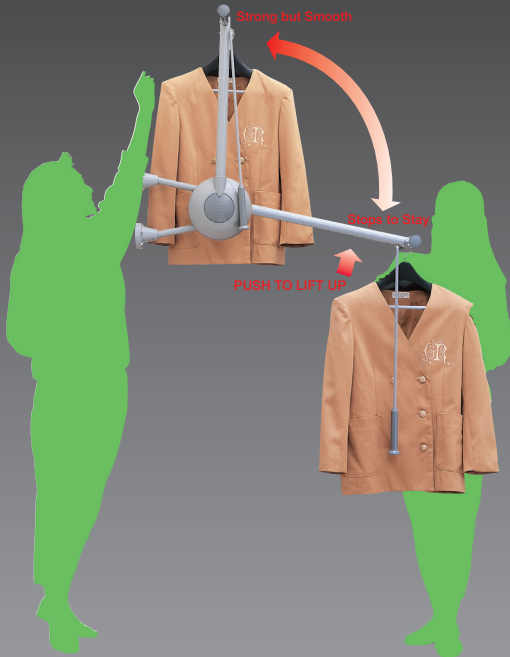
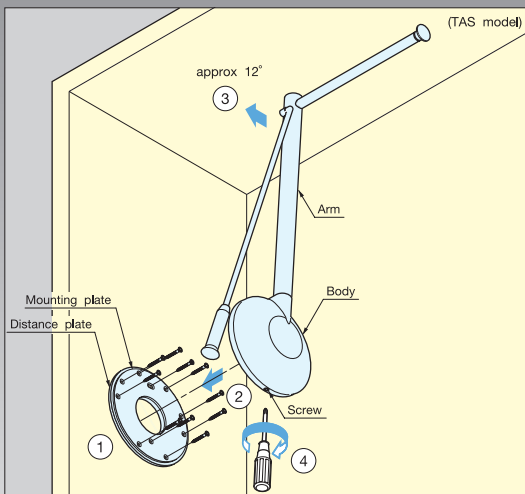


TALLMAN CLOSET ROD LIFT MECHANISM

Innovative closet storing mechanism to hang clothes in high places, allowing for your closet space to be utilized more efficiently.



- New Shock Absorbing Mechanism:**
 Designed to soften sudden “pop-ups” even when rod is released halfway.
 Allows the closet rod to stay at position when the rod is pulled all the way down.
- Easy to use:**
 Easy to return the rod to its normal position.
- Simple to install:**
 Install mounting plate on the wall, fasten rod unit to the mounting plate with one hidden screw.
- Choose your size:**
 We offer single, double or a T-type to accommodate your space requirements.



Easy Installation:

- ① Secure the mounting plate in the selected area with screws.
- ② Insert the body into the fastening holes located on the mounting plate.
- ③ Rotate the body until the arm is locked (approximately 12°).
- ④ Simply secure the body to the mounting plate with one screw.

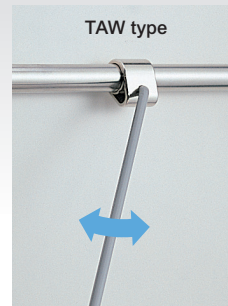


Improved Pipe Fixture for TAS



Insert the pipe end into arm hole and tighten the pipe fixture by turning clockwise as shown.

Flexible Pull Down Rod



Flexible pull down rod allows smooth operation.

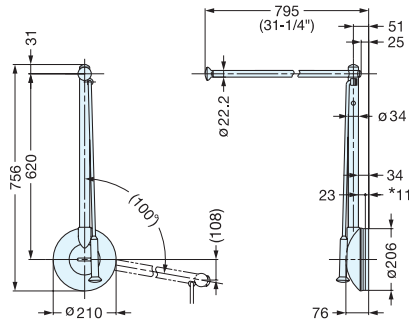
TAS (SINGLE TYPE)



TAS-800R/U (Right) Umber

- This single-type model is designed for installation on a side wall of a cabinet or closet.
- Both right-hand and left-hand models are available.

Load capacity: Up to 8 kg (17.6 lbs) (evenly distributed).
 Packaging: 1 set/box (about 5 kg or 11 lbs).



*Thickness of Distance Plate

Product Specification	Grey (G)	Umber (U)
Right-Hand	TAS-800R/G	TAS-800R/U
Left-Hand	TAS-800L/G	TAS-800L/U

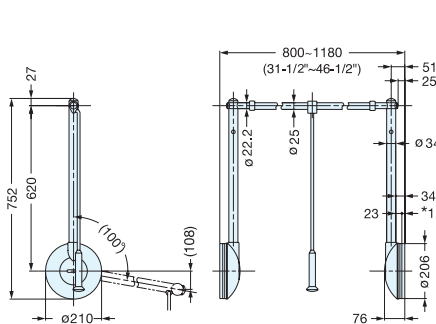
TAW (DOUBLE TYPE)



TAW-1200/U Umber

- The double-type model is designed for installation on side walls of a cabinet or closet, using it in full width.
- Adjusting the length of the rod is easily done in just one step.

Load capacity: Up to 15 kg (33 lbs) (evenly distributed).
 Packaging: 1 set/box (about 9 kg or 19.8 lbs).



*Thickness of Distance Plate

Product Specification	Grey (G)	Umber (U)
Right-Hand	TAW-1200/G	TAW-1200/U

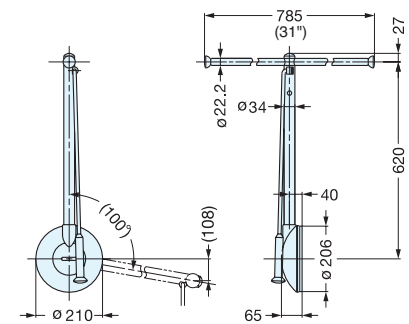
TAT (T-TYPE)



TAT-800R/G (Right) Grey

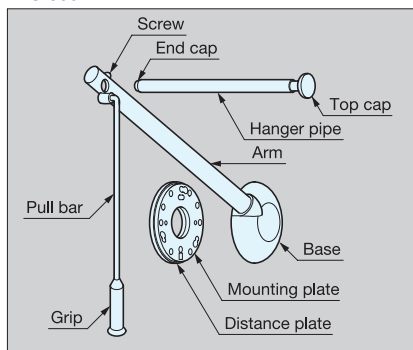
- The T-type model is designed for front facing installation with the use of a bracket which is sold separately (TAB).
- Create space more efficiently by separating short and long clothes.

Load capacity: Up to 8 kg (17.6 lbs) (evenly distributed).
 Packaging: 1 set/box (about 5 kg or 11 lbs).

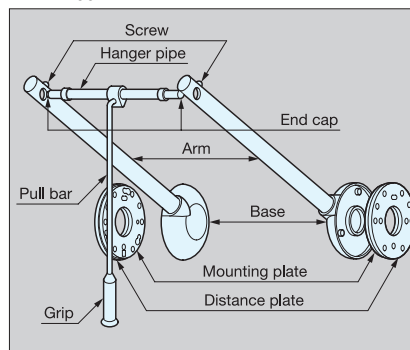


Product Specification	Grey (G)
Right-Hand	TAT-800R/G
Left-Hand	TAT-800L/G

TAS-800L



TAW-1200



TAT-800L

