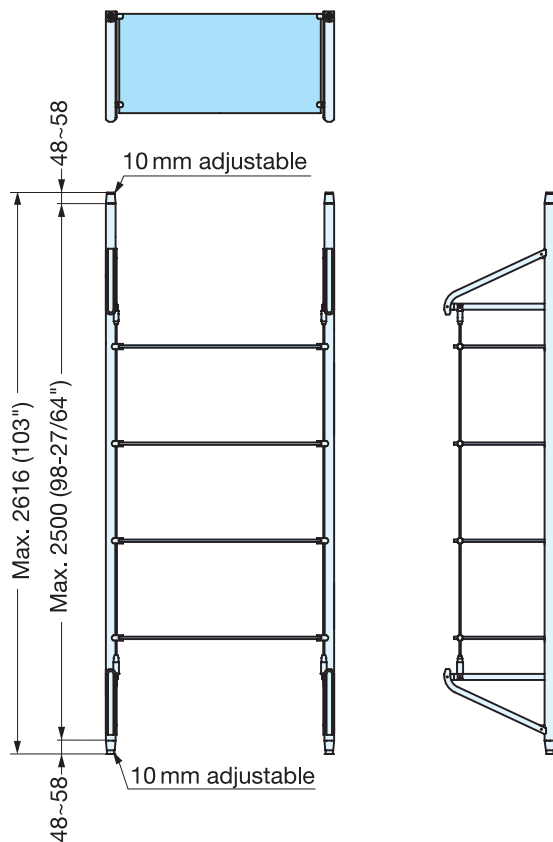


UNIT SHELF TYPE "B"

XL-US02B

SHELF & SUPPORT HARDWARE

UNIT SHELF TYPE "B"



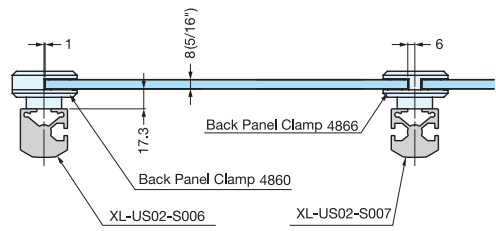
- Adjustable shelf height.
- Designed for ceiling to floor pressure fit installation with extendable leveling glides.
- Can also be wall mounted by using optional wall mounting bracket. XL-US02-S010 (sold separately).
- Please see P.502~P.503 for part details.

Glass Thickness	8 or 10 mm
Overall Height	Max. 2616 mm (103")
Glass Width	Max. 1200 mm (47-1/4") (Glass Thickness 8 mm) Max. 1500 mm (59-3/64") (Glass Thickness 10 mm)
Glass Depth	400~450 mm (15-3/4"~17-23/32")
Load Capacity	Max. 30 kg (66 lbs)/Shelf

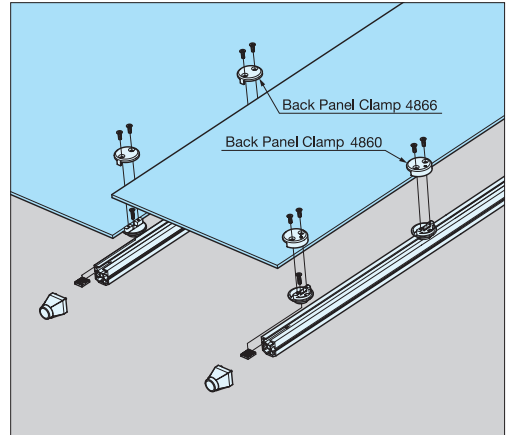
Sample Installation



Back Panel Installation

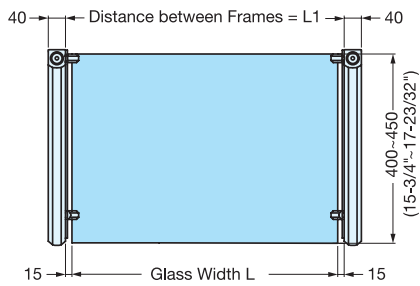


Back Panel Clamp Installation



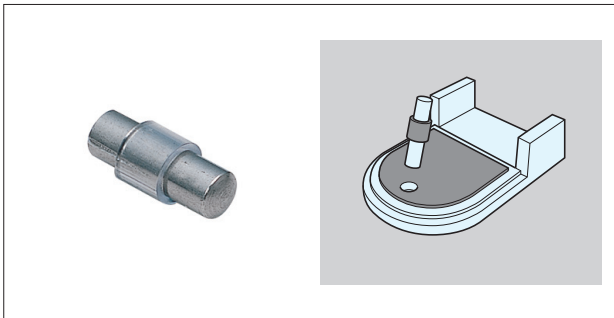
*Insert clamp fasteners before mounting leveling legs.

Glass Shelf Dimensions



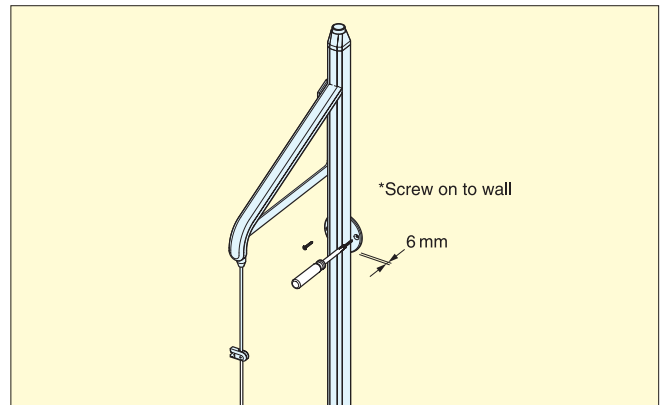
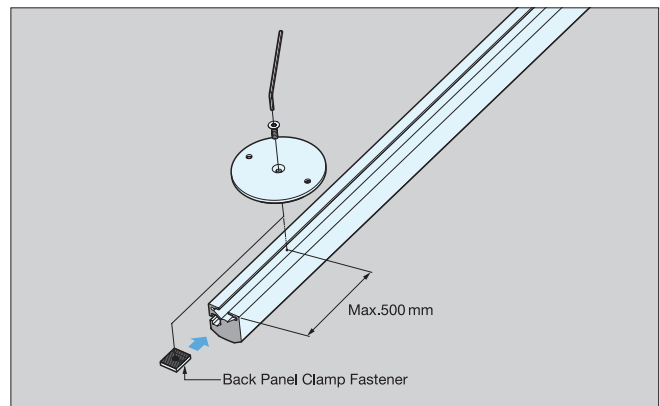
$L = L1 - 30$

Safety Pin for glass clamp (Optional)



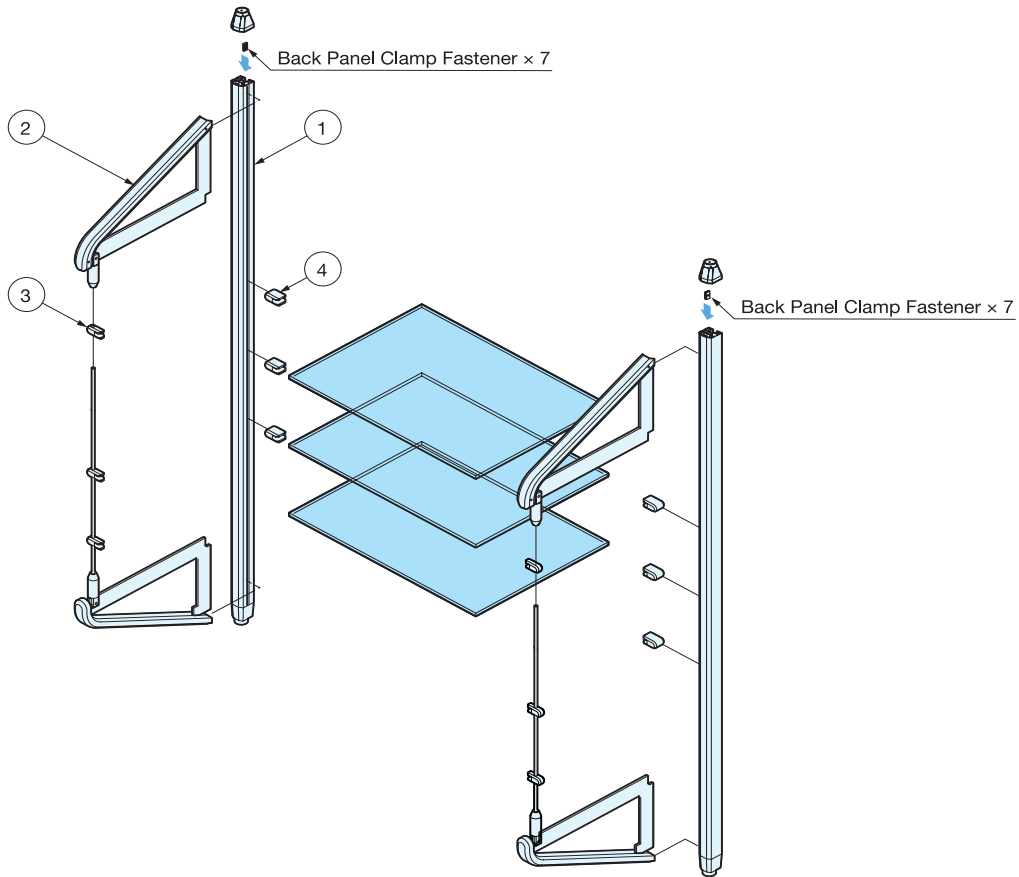
* Prevents glass slipping out from clamp

Vertical Frame Installation



* Please refer to P.503 for Alternate Vertical Frame Installation

Detailed View



"Type B" Part Details

No.	Item No.	Part Name	Dimensions	Description
①	XL-US02-S006	Vertical Frame (1 Slot Type)	<p>39.5 Ø30</p> <p>10 mm Height Adjustable</p> <p>Max. 2616</p> <p>41.5</p> <p>10 mm Height Adjustable</p> <p>A-A Cross Section</p>	<ul style="list-style-type: none"> ● Material Aluminum, Zinc Alloy ● Finish/Color Anodized, Grey ● Length Max. Height: 2600 mm (102-3/8") (Floor to Ceiling) <p>*2 leveling legs included per frame *Double slotted frame available. Please see XL-US02-S007 on page 505 for details.</p>
②	XL-US02-S011	Type B Wire Kit	<p>Max. 2002</p> <p>251</p> <p>1500 (59-3/64")</p> <p>251</p> <p>455</p>	<ul style="list-style-type: none"> ● Material Aluminum, Steel, 430 Stainless Steel ● Finish/Color Matte Chrome <p>*For Main Frame 2100 mm~2500 mm</p>

No.	Item No.	Part Name	Dimensions	Description
③	XL-US01-F20	Type B Shelf Support (For Wire Shaft)		<ul style="list-style-type: none"> ● Material Zinc Alloy ● Finish/Color Matte Chrome *2 Supports necessary for 1 Shelf
④	XL-US01-B20	Type B Shelf Support (For Main Frame, 2pcs/shelf)		<ul style="list-style-type: none"> ● Material Zinc Alloy ● Finish/Color Matte Chrome *2 Supports necessary for 1 Shelf

Type "B" Optional Part Overview Please see page P.508~P.509 for details

Part Name	Wall Mounting Plate	Wall Mounting Bracket	Wall Mounting Bracket	Back Panel Clamp
Item No.	XL-US02-S010	XL-US02-S008	XL-US02-S009	4860ZN1, 4860ZN5

Part Name	Back Panel Clamp	Back Panel Clamp Fastener	Edge Cover
Item No.	4866ZN1, 4866ZN5	XL-US02-S013	AF-25-P01-25