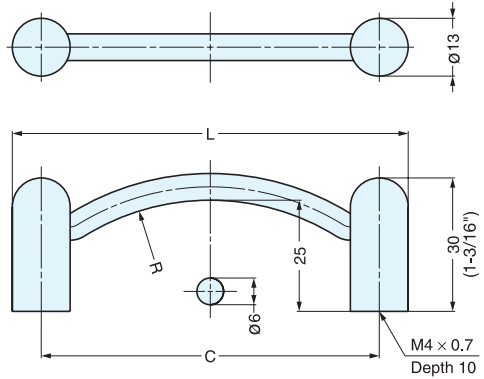


# HANDLE



## LX-90/M, LX-110/M

• Satin-nickel plated brass version available on page 56.



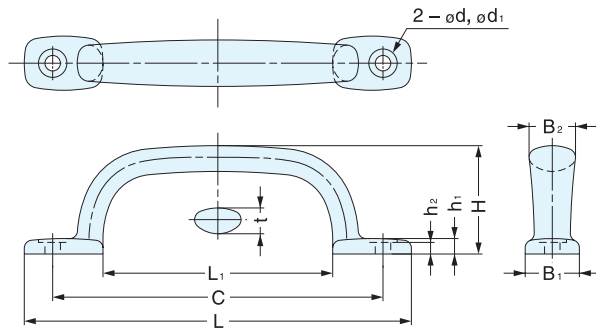
Item No	L	C	R	Weight (g)	Box (pcs)	Carton (pcs)	Material	Finish
LX-90/M	89	76 ( 3" )	53.5	69	10	160	304 Stainless Steel	Mirror
LX-110/M	109	96 ( 3-25/32" )	94.0	71				

# TRANSOM HANDLE



## 2LC

• Ideal for harsh and high corrosive environments.



Material	Finish
316 Stainless Steel	Mirror

Item No.	L	L <sub>1</sub>	C	B <sub>1</sub>	B <sub>2</sub>	H	h <sub>1</sub>	h <sub>2</sub>	t	d	d <sub>1</sub>	Weight (g)	Box (pcs)	Carton (pcs)	Screw
2LC-80	80	32	64 (2-33/64")	16	14	35 ( 1-3/8" )	5.5	4.0	8	5	9.5	70	12	144	4 × 20
2LC-120	120	64	96 (3-25/32")	18	16	36 (1-27/64")		4.5	9			106	8	96	
2LC-150	150	89	128 ( 5-1/32" )	21	18	42 (1-42/64")	6.0	10	6	11.0	172	6	72	5 × 32	
2LC-180	180	118	160 (6-19/64")	23	20	45 (1-49/64")	6.5				5.0	225	3		36