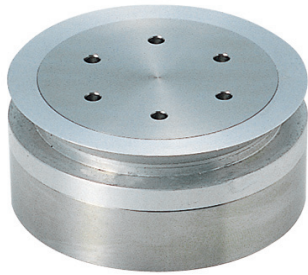




GLASS STANDOFF



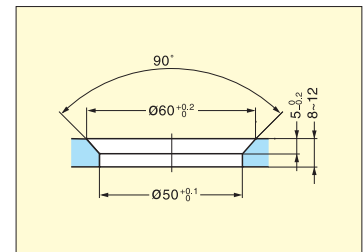
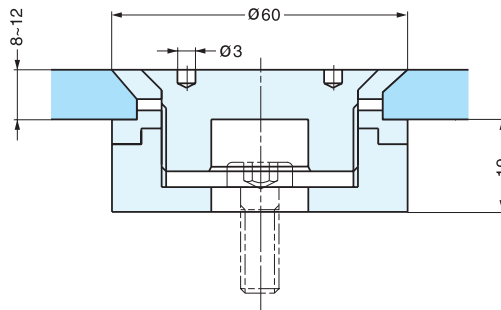
7010VA



- Flush mount type glass standoff.
- Recommended Screw Size: M8 bolt
- Recommended for use with tempered glass.



Z058
* Special wrench Z058 required for installation. (Sold Separately)



Cut Out Dimension

Item No.	Glass Thickness (mm)	Weight (g)	Box (pcs)	Carton (pcs)	Material	Finish
7010VA	8~12	435	4	40	302 Stainless Steel/Aluminum	Satin



GLASS STANDOFF



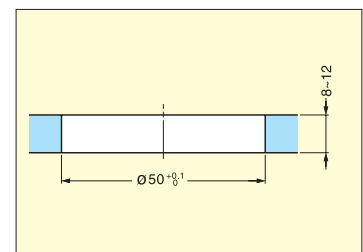
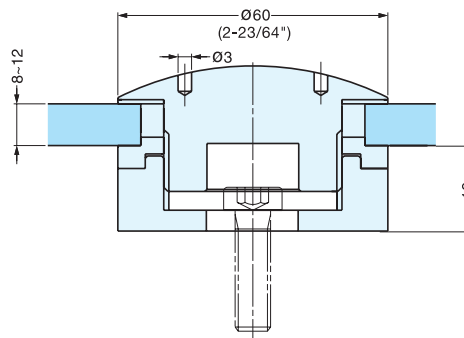
7015VA



- Glass standoff with round face plate.
- Recommended Screw Size: M8 bolt
- Recommended for use with tempered glass.



Z058
* Special wrench Z058 required for installation. (Sold Separately)



Cut Out Dimension

Item No.	Glass Thickness (mm)	Weight (g)	Box (pcs)	Carton (pcs)	Material	Finish
7015VA	8~12	520	4	40	302 Stainless Steel/Aluminum	Satin