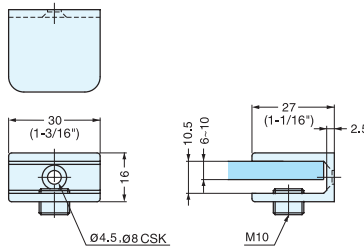
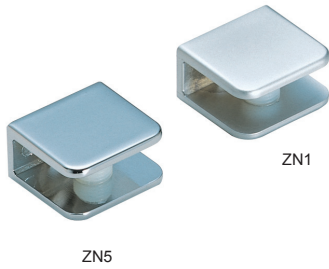




## GLASS SHELF SUPPORT



2880



- Load capacity (center of glass) 5 kg (11 lbs)/pair with shelf support distance max. 300 mm, glass depth max. 300 mm.
- Tempered Glass Recommended.

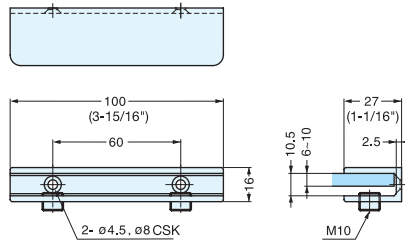
Item No.	Glass Thickness (mm)	Weight (g)	Box (pcs)	Carton (pcs)	Material	Finish
2880ZN1	6~10	34	20	200	Zinc Alloy	Matte Chrome (ZN1)
2880ZN5						Chrome (ZN5)
2880VA2					304 Stainless Steel	Satin (VA2)



## GLASS SHELF SUPPORT



2881



- Load capacity (center of glass) 20 kg (44 lbs)/pair with shelf support distance max. 500 mm, glass depth max. 300 mm.
- Tempered Glass Recommended.

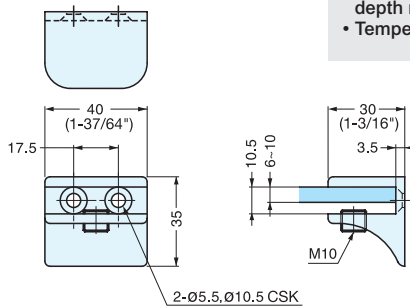
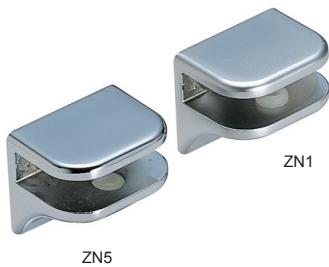
Item No.	Glass Thickness (mm)	Weight (g)	Box (pcs)	Carton (pcs)	Material	Finish
2881ZN1	6~10	118	20	200	Zinc Alloy	Matte Chrome (ZN1)
2881ZN5						Chrome (ZN5)



## GLASS SHELF SUPPORT



2885



- Load capacity (center of glass) 25 kg (55 lbs)/pair with shelf support distance max. 500 mm, glass depth max. 300 mm.
- Tempered Glass Recommended.

Item No.	Glass Thickness (mm)	Weight (g)	Box (pcs)	Carton (pcs)	Material	Finish
2885ZN1	6~10	83	20	200	Zinc Alloy	Matte Chrome (ZN1)
2885ZN5						Chrome (ZN5)
2885VA2					304 Stainless Steel	Satin (VA2)