

RUBBER HOOK (NORDIC)



PXB-GN05-111



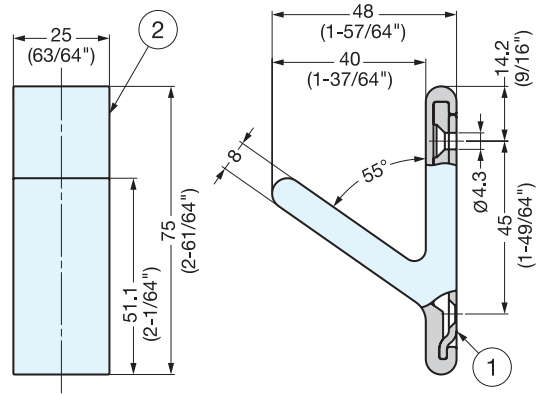
Dark Grey

Brown

Beige



- Simple and safe design.
- Base made of stainless steel provides high strength and durability.
- Designed to integrate modern style.



Item No.	Color	Load Capacity kgf (lbs)	Weight (g)	Box (pcs)	Carton (pcs)
PXB-GN05-111-DG	Dark Grey	8 (18 lbs)	93	10	100
PXB-GN05-111-BR	Brown				
PXB-GN05-111-BE	Beige				

No.	Part Name	Material	Finish
①	Base	Stainless Steel	Plain
②	Cover	Silicone Rubber	-

COAT HOOK (PREMIUM WOOD SERIES)



PXB-WM05-111



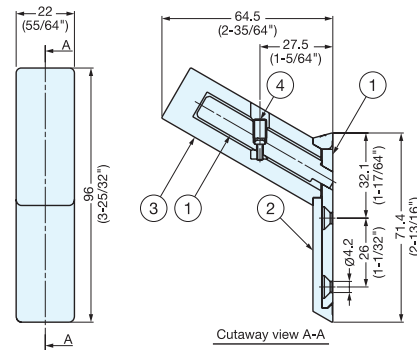
White Birch

Ostrya Japonica (Hornbeam)

Walnut



- The contrast of the gentle touch of wood surface and shiny metallic texture creates a unique rectilinear feature.
- Metal core inside the wooden arm provides high-durability.
- Clear coating greatly improves the endurance.



No.	Part Name	Material	Finish
①	Base	Steel	Zinc Chromate
②	Base Cover	Zinc Alloy	Nickel/Black
③	Arm	Wood	Clear Coating
④	Socket Screw	Stainless Steel	Plain

Item No.	Color	Load Capacity kgf (lbs)	Weight (g)	Box (pcs)	Carton (pcs)
PXB-WM05-111-MK	White Birch	10 (22 lbs)	110	6	48
PXB-WM05-111-AS	Ostrya Japonica (Hornbeam)				
PXB-WM05-111-WN	Walnut				