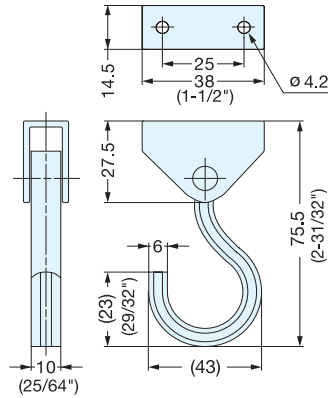


SWING HOOK



XL-JSF40TT



• Vertical swivel allows for under mount applications.

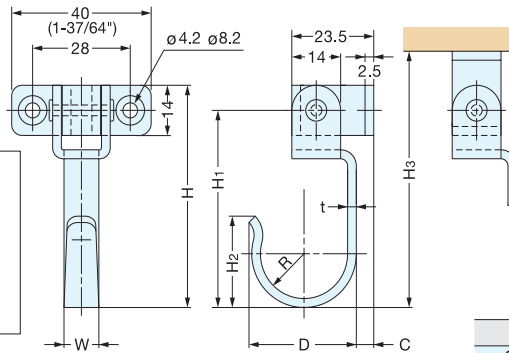
Item No.	Load Capacity (kg)	Weight (g)	Box (pcs)	Carton (pcs)
XL-JSF40TT	50 (110 lbs)	70	20	120

Part Name	Material	Finish
Hook	303 Stainless Steel	Mirror/Satin Combination
Bracket	304 Stainless Steel	

SWING HOOK



UC



• Vertical swivel allows for under mount applications.

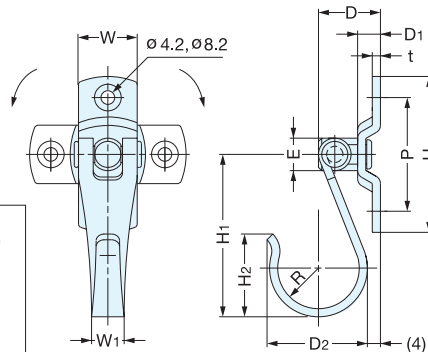
Material	Finish
304 Stainless Steel	Satin

Item No.	W	D	H	H ₁	H ₂	H ₃	C	R	t	Load Capacity (kg)	Weight (g)	Box (pcs)	Carton (pcs)
UC-048	⁹ / _{(23/64\"/>}	(24.9) (63/64\"/>	55 (2-11/64\"/>	48 (1-57/64\"/>	(21.4) (27/32\"/>	64.5	6.5	10.0	2.0	5.6 (12 lbs)	37	40	400
UC-055	¹⁰ / _{(25/64\"/>}	(30.8) (1-7/32\"/>	62 (2-7/16\"/>	55 (2-11/64\"/>	(25.5) (57/64\"/>	71.5	5.0	12.5	2.5	6.7 (14 lbs)	45	25	250

SWING HOOK



UJ



• Rotates 360° and swivels 180°.
• Can be mounted in various directions.

Material	Finish
304 Stainless Steel	Satin

Item No.	W	W ₁	D	D ₁	D ₂	H	H ₁	H ₂	P	E	R	t	Load Capacity (kg)	Weight (g)	Box (pcs)	Carton (pcs)
UJ-040	16	(9)	16.5	5.5	(24.9) (63/64\"/>	42	40 (1-37/64\"/>	(21.4)	30	ø 9	10.0	2.0	6.7 (14 lbs)	27	50	500
UJ-050	18	(10)	19.0	7.0	(30.8) (1-7/32\"/>	48	50 (1-31/32\"/>	(25.5)	35	ø10	12.5	2.5	8.9 (19 lbs)	45	30	300