

SWING HOOK (W/FRICTION)

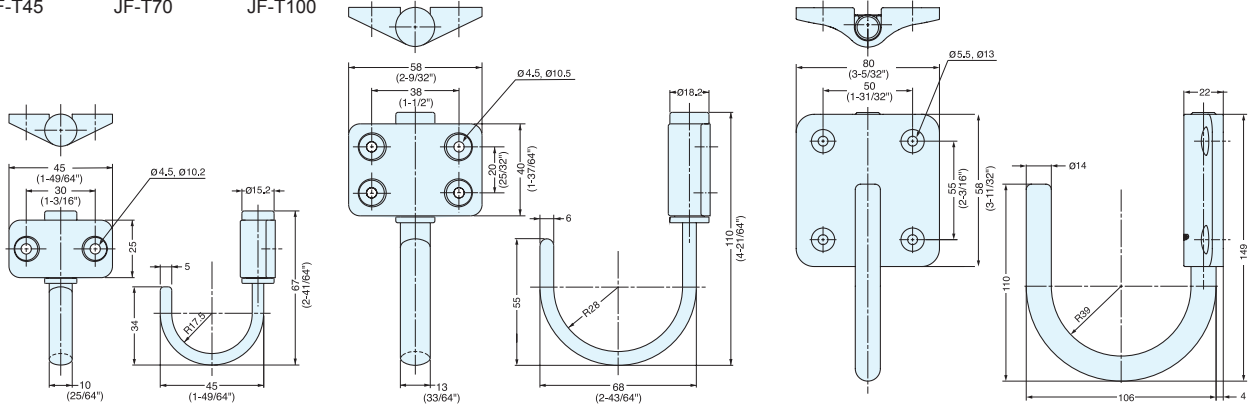
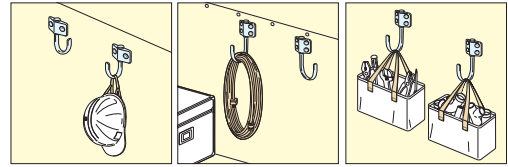


JF-T



JF-T45 JF-T70 JF-T100

- Swivels 180 degrees.
- Hook has constant torque when swiveling.
- Ideal for vibration or shock applications.



Item No.	Load Capacity (kg)	Weight (g)	Box (pcs)	Carton (pcs)
JF-T45	17 (37 lbs)	90	10	100
JF-T70		225		
JF-T100	40 (88 lbs)	638	5	20

Material	Finish
304 Stainless Steel	Mirror

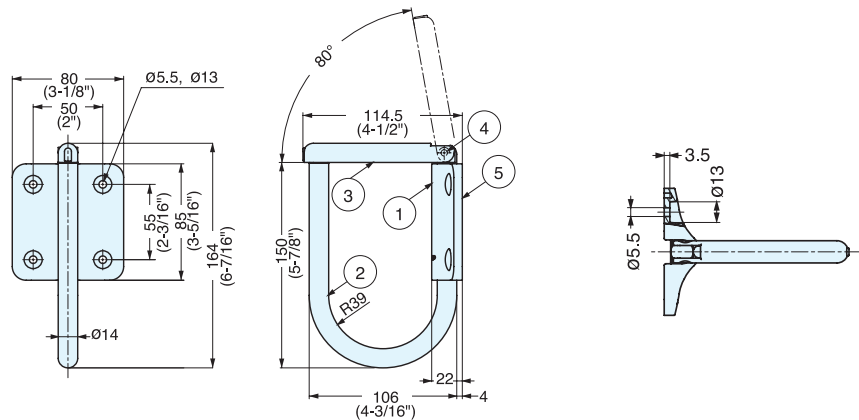
LARGE SWING LATCH HOOK (W/FRICTION)



JN-T100



- Swivels 180 degrees.
- Hook has constant torque when swinging.
- Ideal for vibration or shock applications.



Item No.	Load Capacity (kg)	Weight (g)	Box (pcs)	Carton (pcs)
JN-T100	40 (88 lbs)	780	5	20

No.	Part Name	Material	Finish
①	Strike	304 Stainless Steel	Mirror
②	Hook	303 Stainless Steel	
③	Arm	304 Stainless Steel	
④	Shaft	303 Stainless Steel	Plain
⑤	Back Plate	304 Stainless Steel	