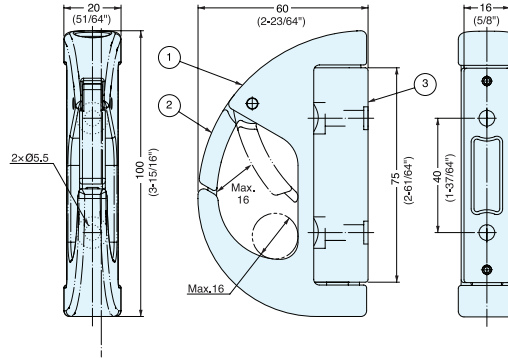
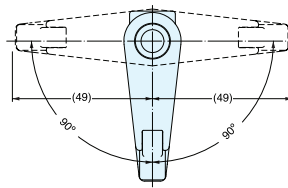


LATCH HOOK



EN-R100F



- Keeps items hooked, ideal for vibration or shock applications.
- Swivels 180 degrees.

Item No.	Load Capacity (kg)	Weight (g)	Box (pcs)	Carton (pcs)	Material	Finish
EN-R100F	60 (132 lbs)	350	10	50	316 Stainless Steel	Polished

LATCH HOOK (W/PADLOCK HOLE)



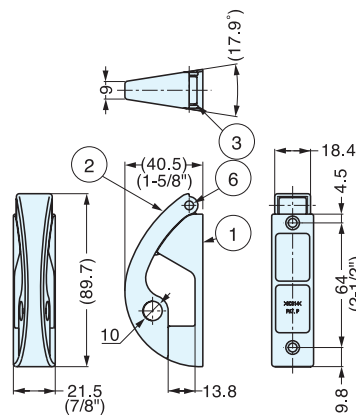
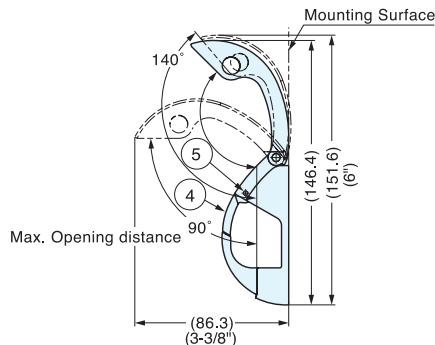
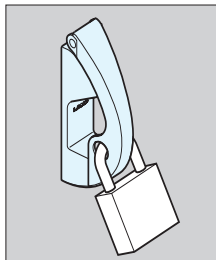
EN-R80-K



Closed



Open



- Keeps items hooked, ideal for vibration or shock applications.
- Can be used with padlock.

No.	Part Name	Material	Finish
①	Body	304 Stainless Steel	Mirror
②	Cover	316 Stainless Steel	Mirror
③	O ring	EPDM	Black
④	Lever	304 Stainless Steel	Mirror
⑤	Shaft	316 Stainless Steel	Plain
⑥	Shaft for cover		

Item No.	Load Capacity (kg)	Weight (g)	Box (pcs)	Carton (pcs)
EN-R80-K	20 (44 lbs)	180	10	60