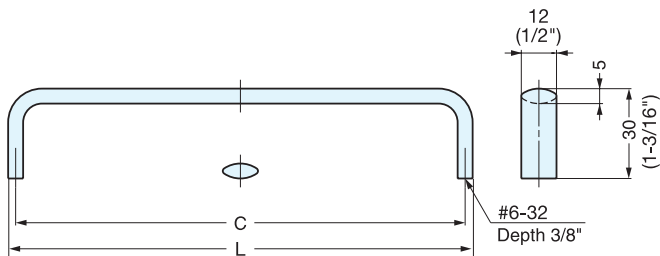


HANDLE



KC-S

• Ideal for harsh and high corrosive environments.



Item No.	L	C	Weight (g)	Box (pcs)	Carton (pcs)
KC-S635/M KC-S635/S	93.9 (3-11/16")	88.9 (3-1/2")	67	20	200
KC-S640/M KC-S640/S	106.6 (4-3/16")	101.6 (4")	71		
KC-S650/M KC-S650/S	132.0 (5-3/16")	127.0 (5")	85		
KC-S660/M KC-S660/S	157.4 (6-3/16")	152.4 (6")	95		

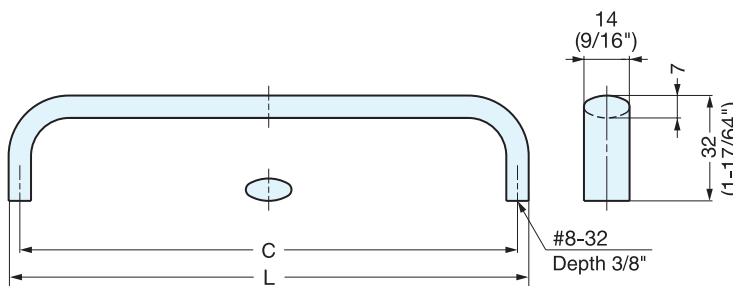
Material	Finish
316 Stainless Steel	Mirror (M) Satin (S)

HANDLE



EK-S

• Ideal for harsh and high corrosive environments.



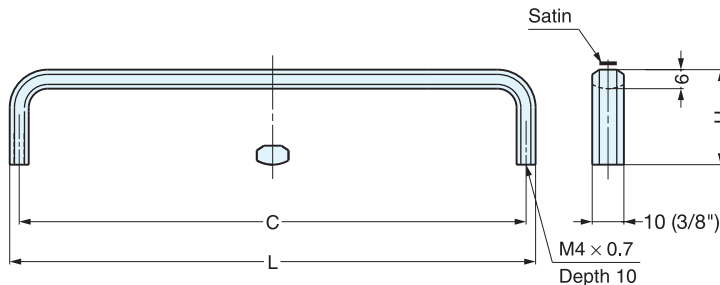
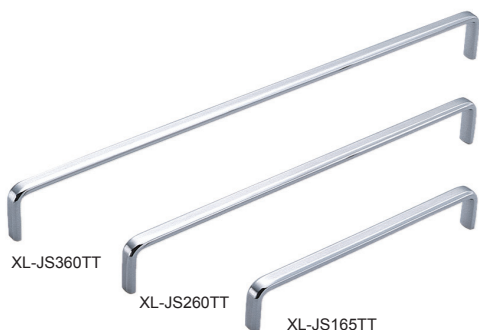
Item No.	L	C	Weight (g)	Box (pcs)	Carton (pcs)
EK-S635/M EK-S635/S	95.9 (3-25/32")	88.9 (3-1/2")	90	20	200
EK-S640/M EK-S640/S	108.6 (4-9/32")	101.6 (4")	91		
EK-S650/M EK-S650/S	134.0 (5-9/32")	127.0 (5")	113		
EK-S660/M EK-S660/S	159.4 (6-9/32")	152.4 (6")	122		

Material	Finish
316 Stainless Steel	Mirror (M) Satin (S)

HANDLE



XL-JS



Item No.	L	C	H	Weight (g)	Box (pcs)	Carton (pcs)
XL-JS165TT	166	160 (6-19/64")	30 (1-3/16")	81	15	150
XL-JS260TT	260	254 (10")	33 (1-19/64")	122	10	100
XL-JS360TT	358	352 (13-55/64")	36 (1-27/64")	166		

Material	Finish
316 Stainless Steel	Mirror and Satin Combination