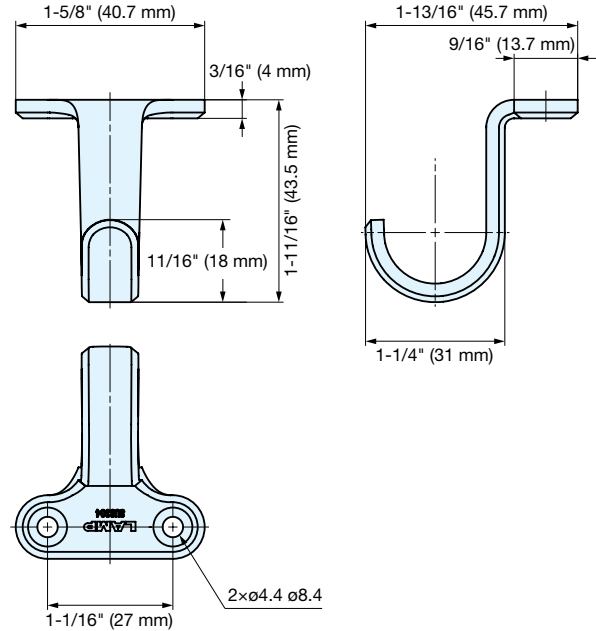


UNDERMOUNT HOOK



4HJU-40M

• Chamfered edges prevent injury.



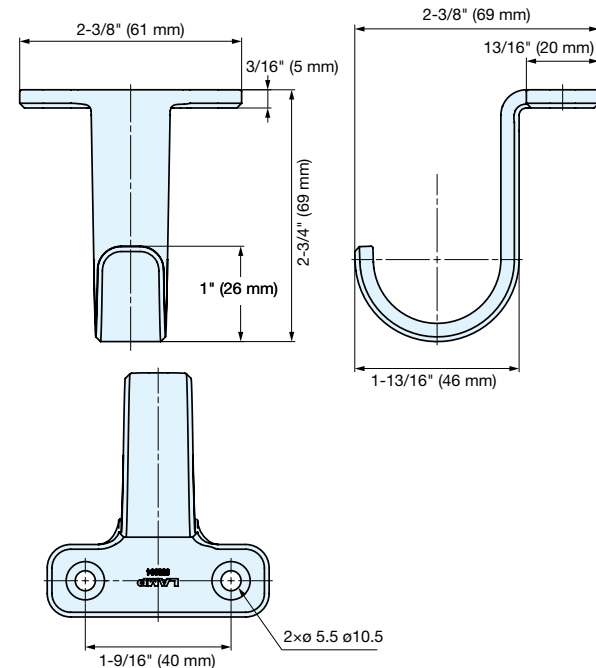
Item No.	Material	Finish	Load Capacity kgf	Weight (g)
4HJU-40M	304 Stainless Steel	Mirror	15.3 (33.7 lbs)	42.5

UNDERMOUNT HOOK



5HJU-60M

• Chamfered edges prevent injury.



Item No.	Material	Finish	Load Capacity kgf	Weight (g)
5HJU-60M	304 Stainless Steel	Mirror	20.4 (44.9 lbs)	130