

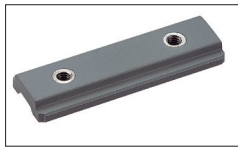
MINI GUIDE BLOCK & RAIL



MRS20, MR-20CS

DRAWER SLIDES

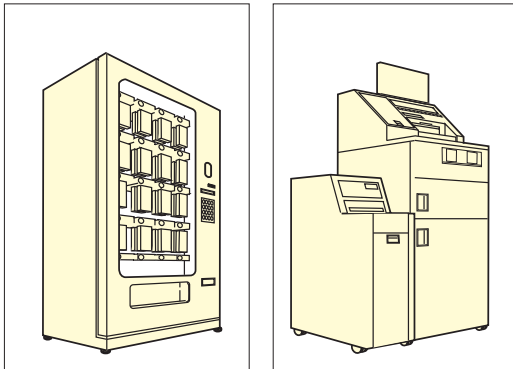
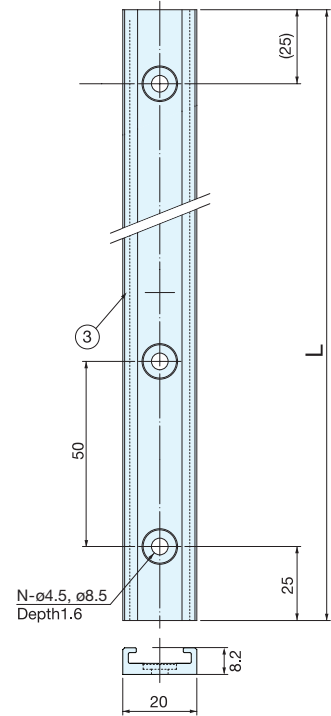
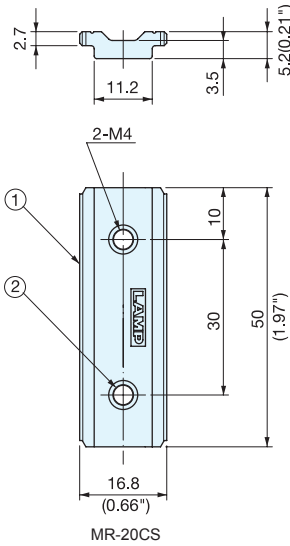
MINI GUIDE BLOCKS & RAILS



MR-20CS



- Perfect for small stroke application.
- No lubricant (P. 415,416,417) needed.
- * Block and Rail sold separately.



Installation

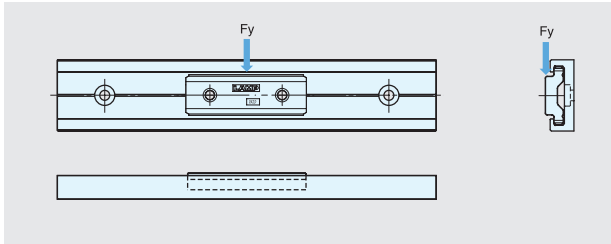
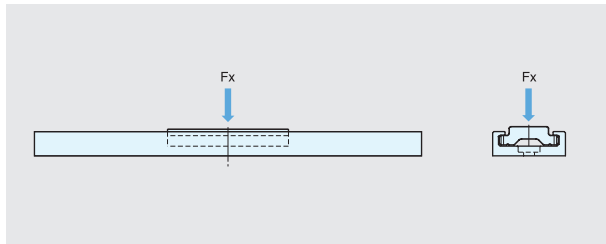
■ Rail				25.4 mm=1"	
Item No.	L	N	Weight (g)	Box (pcs)	
MRS20-100	100 (3-15/16")	2	20	200	
MRS20-200	200 (7-7/8")	4	40		
MRS20-400	400 (15-3/4")	8	80	100	
MRS20-800	800 (31-1/2")	16	160	80	
MRS20-2000	2000 (78-3/4")	40	400	30	

*Both ends of rail are not anodized.

No.	Material	Finish
①	Polyethylene (UL 94HB)	Grey
②	304 Stainless Steel	Plain
③	Aluminum	Anodized

■ Block			
Item No.	Weight (g)	Box (pcs)	Carton (pcs)
MR-20CS	6	50	1000

MRS 20, MR-20CS LOAD RATING INFORMATION



Horizontal Static Load Fx	30.6 kgf (67.5 lbs)
Vertical Static Load Fy	17.8 kgf (39.2 lbs)

◆ Reduction Factor

Certain reduction needs to be applied depending on application or environment.
 Low speed/Low operation frequency = 70% to 100% of Load Rating
 Moderate speed/High operation frequency = 35% to 65% of Load Rating
 High operation frequency with Vibration & Shocks = 10% to 30% of Load Rating