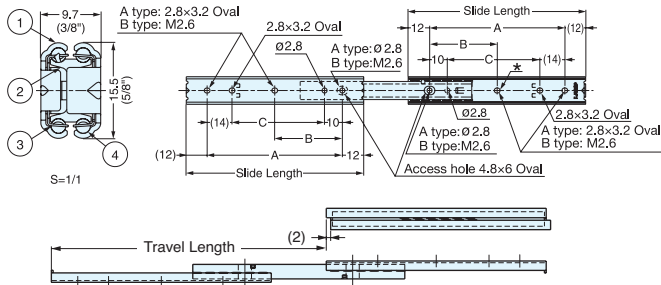


# FULL EXTENSION MINI SLIDE



## SCR3



- Full extension.
- High precision design.
- Thin profile for various applications.
- Types with slide length 80 mm have no holes marked with(\*)



B type shown.

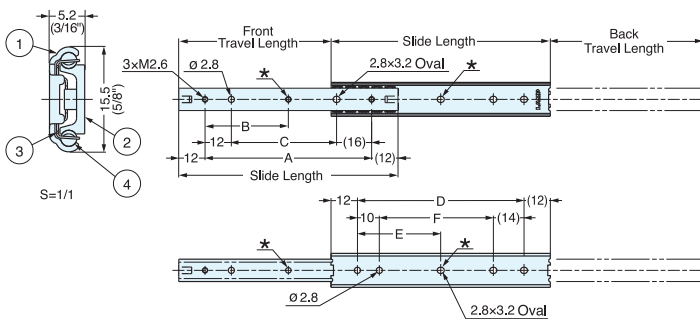
Item No.	Holes	Slide Length	Travel Length	A	B	C	Load Capacity kgf/pair	Weight (g/pc)	Box (pcs)	Carton (pcs)
SCR3-15-80A	A Type (Through Hole)	80 ( 3-1/8" )	97 ( 3-13/16" )	56	-	32	10 (22.0 lbs)	36	50	200
SCR3-15-100A		100 ( 3-15/16" )	125 ( 4-15/16" )	76	38	52	11 (24.2 lbs)	45		
SCR3-15-150A		150 ( 5-7/8" )	177 ( 6-15/16" )	126	63	102	12 (26.4 lbs)	70		
SCR3-15-80B	B Type (Screw Hole)	80 ( 3-1/8" )	97 ( 3-13/16" )	56	-	32	10 (22.0 lbs)	36		
SCR3-15-100B		100 ( 3-15/16" )	125 ( 4-15/16" )	76	38	52	11 (24.2 lbs)	45		
SCR3-15-150B		150 ( 5-7/8" )	177 ( 6-15/16" )	126	63	102	12 (26.4 lbs)	70		

No.	Part Name	Material
①	Outer Rail	304 Stainless Steel
②	Inner Rail	
③	Retainer	Steel
④	Balls	Steel

# 3/4 EXTENSION MINI SLIDE (2-WAY)



## SCRW2



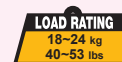
- Two-way travel.
- Thin profile for various applications.
- Types with slide length 80 mm have no holes marked with(\*)



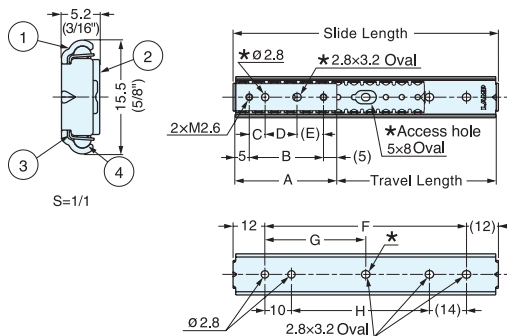
No.	Part Name	Material
①	Outer Rail	304 Stainless Steel
②	Inner Rail	
③	Retainer	Steel
④	Balls	Steel

Item No.	Slide Length	Front Travel Length	Back Travel Length	A	B	C	D	E	F	Load Capacity kgf/pair	Weight (g/pc)	Box (pcs)	Carton (pcs)
SCRW2-15-80A	80 ( 3-1/8" )	48.5 ( 1-7/8" )	48.5 ( 1-7/8" )	56	-	28	56	-	32	14 (30.8 lbs)	21	200	400
SCRW2-15-100A	100 ( 3-15/16" )	68.5 ( 2-11/16" )	68.5 ( 2-11/16" )	76	38	48	76	38	52	16 (35.2 lbs)	26		
SCRW2-15-150A	150 ( 5-7/8" )	94.5 ( 3-3/4" )	94.5 ( 3-3/4" )	126	63	98	126	63	102	18 (39.6 lbs)	41	100	200

# STAINLESS STEEL MINI GUIDE



## SCRL2



- Thin profile for various applications.
- Types with slide length 80 mm have no holes marked with(\*)



No.	Part Name	Material
①	Outer Rail	304 Stainless Steel
②	Inner Rail	
③	Retainer	Steel
④	Balls	Steel

Item No.	Slide Length	Travel Length	A	B	C	D	E	F	G	H	Load Capacity kgf/pair	Weight (g/pc)	Box (pcs)	Carton (pcs)
SCRL2-15-80A	80 ( 3-1/8" )	49 ( 1-7/8" )	28	18	-	-	-	56	-	32	18 (39.6 lbs)	16	50	200
SCRL2-15-100A	100 ( 3-15/16" )	59 ( 2-5/16" )	38	28	6	12	10	76	38	52	21 (46.2 lbs)	20		
SCRL2-15-150A	150 ( 5-7/8" )	109 ( 4-5/16" )						126	63	102	29			
SCRL2-15-200A	200 ( 7-7/8" )	149 ( 5-7/8" )	48	38	10	14	14	176	88	152	24 (52.9 lbs)	38		