

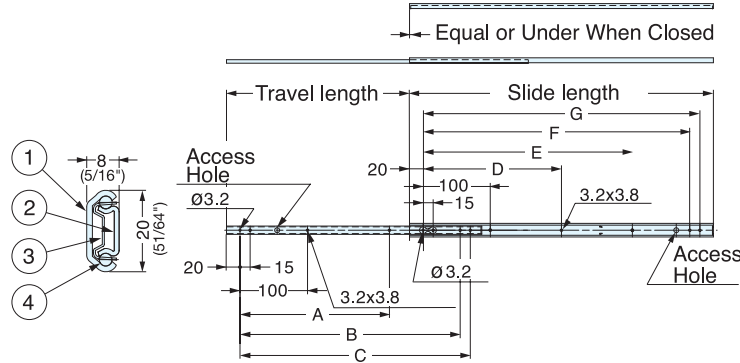
### 3/4 EXTENSION SLIDE (Low Profile)



### ESR-2021



- 3/4 extension.
- Positive stop.
- Non-handed.
- Requires #4 or M3 pan head screw.
- Sold by each.



No.	Part Name	Material	Finish/Color
①	Outer Rail	304 Stainless Steel	Plain
②	Inner Rail		
③	Retainer		-
④	Balls		

Item No.	Slide Length	Travel Length	A	B	C	D	E	F	G	Load Rating (kg/pair)	Box (pcs)	
ESR-2021-200	200 ( 7-7/8" )	134 ( 5-9/32" )	-	145	160	-	-	145	160	13 (28 lbs)	200	
ESR-2021-250	250 ( 9-27/32" )	184 ( 7-15/64" )	150	195	210			195	210	15 (33 lbs)		
ESR-2021-300	300 ( 11-13/16" )	224 ( 8-13/16" )	190	245	260			160	245	260		16 (35 lbs)
ESR-2021-350	350 ( 13-25/32" )	244 ( 9-39/64" )	225	295	310			210	295	310		15 (33 lbs)
ESR-2021-400	400 ( 15-3/4" )	294 ( 11-37/64" )	265	345	360			260	345	360		13 (28 lbs)
ESR-2021-450	450 ( 17-23/32" )	334 ( 13-9/64" )	300	395	410	205	310	395	410	11 (24 lbs)	100	
ESR-2021-500	500 ( 19-11/16" )	384 ( 15-7/64" )	337	445	460	230	360	445	460			

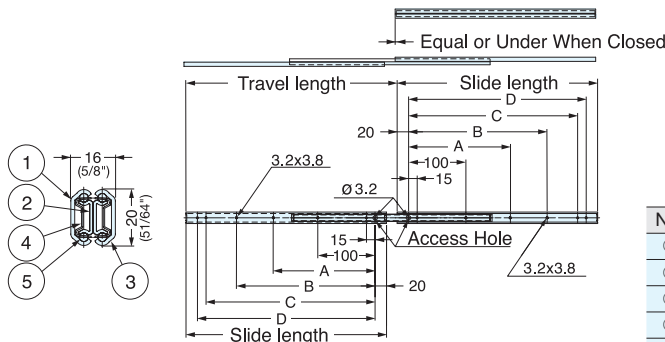
### FULL EXTENSION SLIDE



### ESR-2031



- Full extension.
- Positive stop.
- Non-handed.
- Requires #4 or M3 pan head screw.
- Sold by each.



No.	Part Name	Material	Finish/Color
①	Outer Rail	304 Stainless Steel	Plain
②	Intermediate Member		
③	Inner Rail		
④	Retainer		
⑤	Balls		-

Item No.	Slide Length	Travel Length	A	B	C	D	Load Rating (kg/pair)	Weight (g/pair)	Box (pcs)	
ESR-2031-200	200 ( 7-7/8" )	229 ( 9-1/64" )	-	-	145	160	17 (37 lbs)	400	96	
ESR-2031-250	250 ( 9-27/32" )	269 ( 10-19/32" )			195	210		500		
ESR-2031-300	300 ( 11-13/16" )	329 ( 12-61/64" )			160	245		260		600
ESR-2031-350	350 ( 13-25/32" )	369 ( 14-17/32" )			210	295		310		700
ESR-2031-400	400 ( 15-3/4" )	429 ( 16-57/64" )			260	345		360		800
ESR-2031-450	450 ( 17-23/32" )	469 ( 18-15/32" )	205	310	395	410	16 (35 lbs)	900		
ESR-2031-500	500 ( 19-11/16" )	529 ( 20-53/64" )	230	360	445	460	13 (28 lbs)	1000		