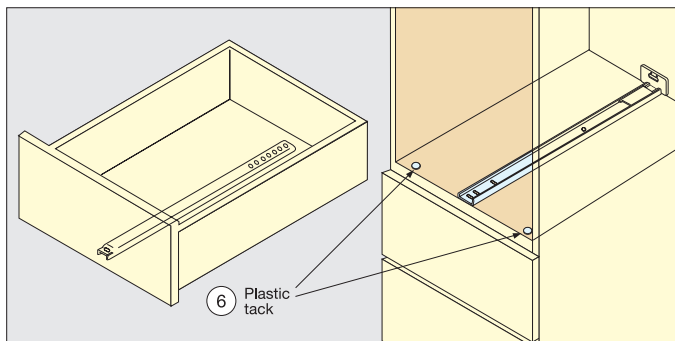


3/4 EXTENSION UNDERMOUNT SLIDE



ESR-2

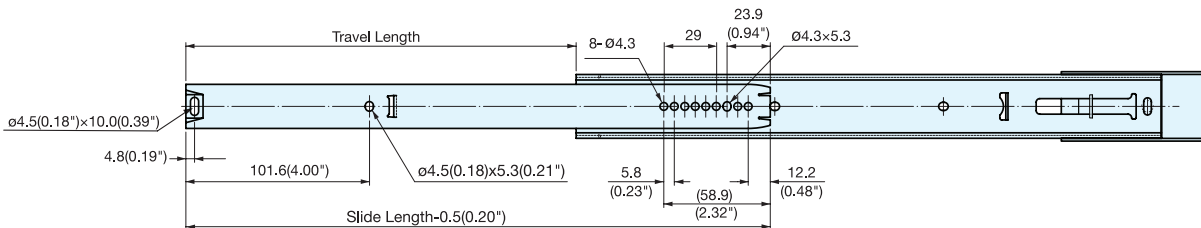
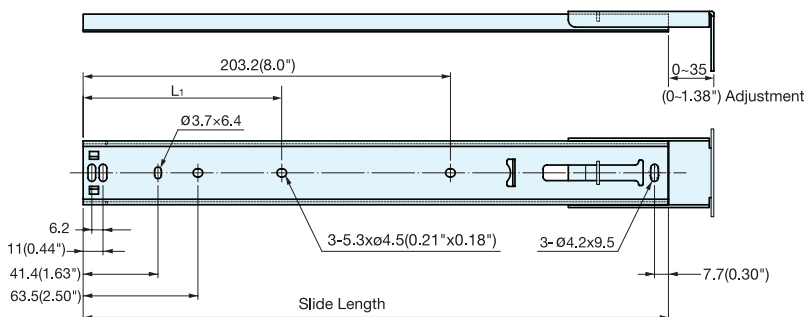
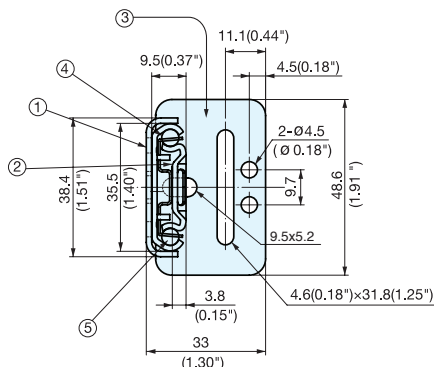
DRAWER SLIDES



- Under carriage mounting with bracket.
- 3/4 extension.
- Front disconnect.
- Friction brake stop.
- Sold by each.
- Mount with M4 or #8 Binding, Pan, or Truss head screws.
- Two plastic tacks supplied per slide.



STAINLESS STEEL SLIDES



25.4 mm=1"

No.	Part	Material
①	Outer Rail	304 Stainless Steel
②	Inner Rail	
③	Bracket	
④	Retainer	
⑤	Balls	Polyamide
⑥	Plastic Tack	

Item No.	Slide Length	Travel Length	L ₁	# of Holes		Load Rating (kg/pc)	Weight (g)	Box (pcs)
				Inner Rail	Outer Rail			
ESR-2-12	323.8 (12-3/4")	215.9 (8-1/2")	109.9	11	7	8.0 (18 lbs)	340	20
ESR-2-14	374.6 (14-3/4")	266.7 (10-1/2")	160.7			7.5 (17 lbs)	400	
ESR-2-16	425.4 (16-3/4")	304.8 (12")	-		6	7.0 (15 lbs)	450	
ESR-2-18	476.2 (18-3/4")	317.5 (12-1/2")	262.3			490		
ESR-2-20	527.0 (20-3/4")	368.3 (14-1/2")	313.1		7	6.5 (14 lbs)	530	
ESR-2-22	577.8 (22-3/4")	419.1 (16-1/2")	363.9			6.0 (13 lbs)	630	
ESR-2-24	628.6 (24-3/4")	444.5 (17-1/2")	414.7			5.5 (12 lbs)	690	
ESR-2-26	679.4 (26-3/4")	495.3 (19-1/2")	465.5			5.0 (11 lbs)	720	