

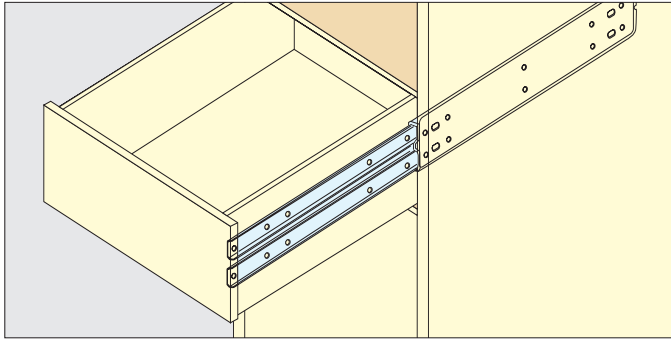
3/4 EXTENSION SLIDE



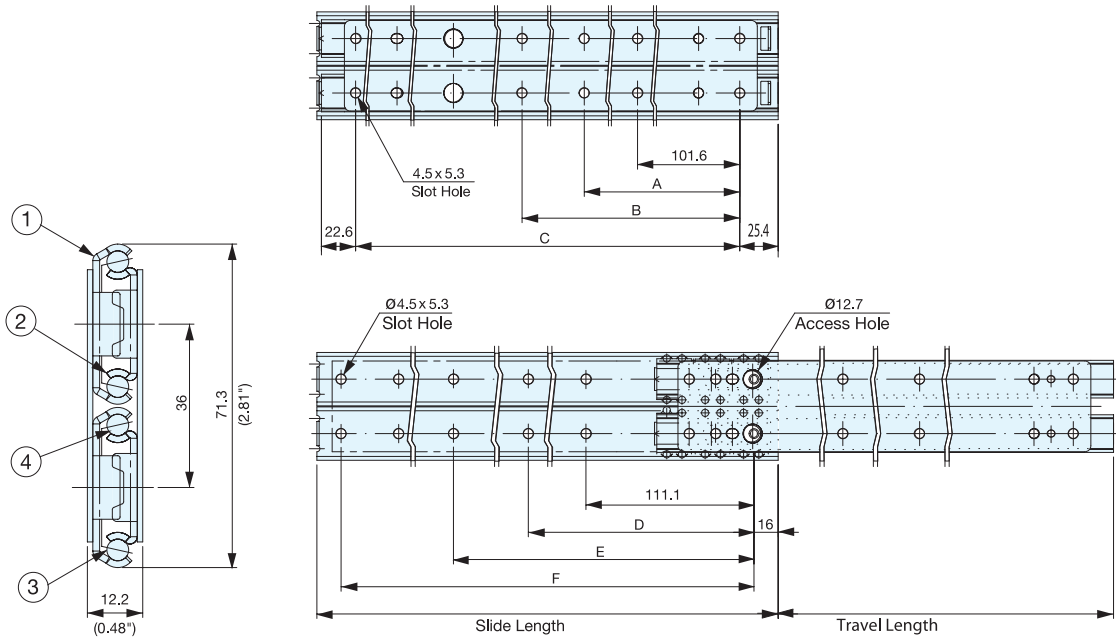
ESR-5

DRAWER SLIDES

STAINLESS STEEL SLIDES



- 3/4 extension.
- Positive stop.
- Non-handed.
- Heavy duty.
- Sold by each.
- Mount with M4 or #8 Binding, Pan, or Truss head screws.



25.4 mm=1"

No.	Part	Material
①	Outer Rail	304 Stainless Steel
②	Inner Rail	
③	Retainer	
④	Balls	

Item No.	Slide Length	Travel Length	A	B	C	D	E	F	# of Holes		Load Rating (kg/pair)	Weight (g)	Box (pcs)
									Inner Rail	Outer Rail			
ESR-5-12	305.0 (12")	221.8 (8-47/64")	-	152.4	254.0	-	149.2	273.0	6	8	114 (251 lbs)	920	12
ESR-5-14	355.8 (14")	259.9 (10-15/64")	-	203.2	304.8	-	200.0	323.8			109 (240 lbs)	1090	
ESR-5-16	406.6 (16")	298.0 (11-47/64")	-	254.0	355.6	-	250.8	374.6			104 (229 lbs)	1250	
ESR-5-18	457.4 (18")	348.8 (13-47/64")	203.2	304.8	406.4	212.7	301.6	425.4	6	10	102 (224 lbs)	1500	
ESR-5-20	508.2 (20")	361.5 (14-15/64")	228.6	355.6	457.2	238.1	352.4	476.2			99 (218 lbs)	1670	
ESR-5-22	559.0 (22")	425.0 (16-47/64")	254.0	406.4	508.0	263.5	403.2	527.0			94 (207 lbs)	1750	
ESR-5-24	609.8 (24")	450.4 (17-47/64")	279.4	457.2	558.8	288.9	454.0	577.8	6	10	89 (196 lbs)	1920	
ESR-5-26	660.6 (26")	463.1 (18-15/64")	304.8	508.0	609.6	314.3	504.8	628.6			86 (189 lbs)	2090	
ESR-5-28	711.4 (28")	501.2 (19-47/64")	330.2	558.8	660.4	339.7	555.6	679.4			80 (176 lbs)	2250	