

FULL EXTENSION SLIDE

STAINLESS
304
STEEL

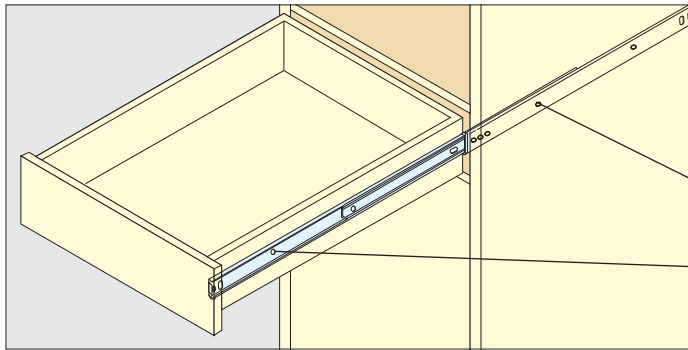
LOAD RATING
64~116 kg
140~255 lbs

NO SCREW

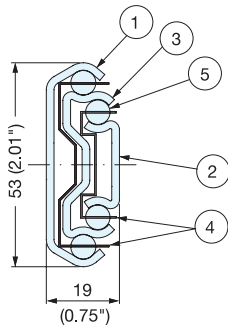
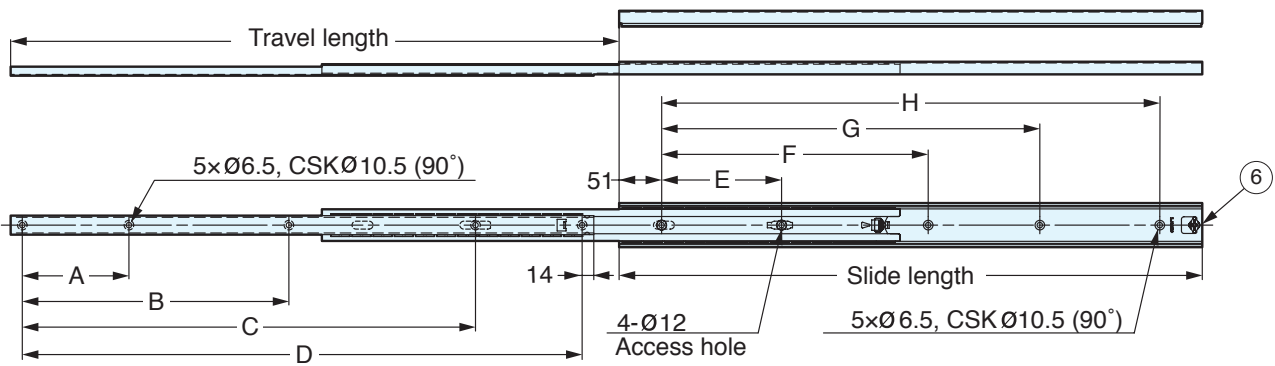
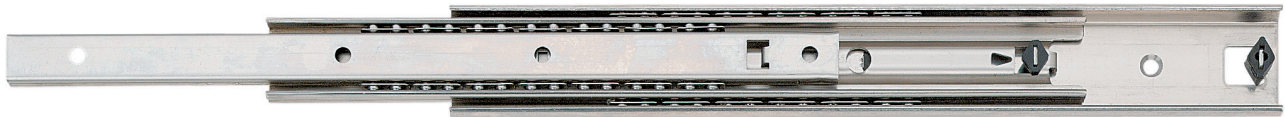
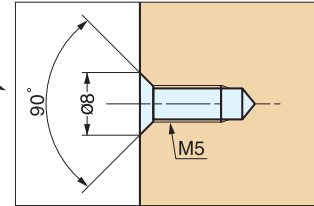
5302

DRAWER SLIDES

STAINLESS STEEL SLIDES



- Full extension.
- Positive stop.
- Non-handed.
- Hold-in detent.
- Sold by each.
- Mount with M5 Flat head screws.



25.4 mm=1"

No.	Part	Material
①	Outer Rail	304 Stainless Steel
②	Inner Rail	
③	Intermediate Member	
④	Retainer	
⑤	Balls	
⑥	Detent	Rubber

Item No.	Slide Length	Travel Length	A	B	C	D	E	F	G	H	Load Rating (kg/pair)	Weight (g)	Box (pcs)
5302-300	300 (11-13/16")	334 (13-1/8")	128	256	-	112	192	192	-	-	116 (255 lbs)	860	20
5302-350	350 (13-3/4")	384 (15-1/8")	160	320	-		144	240	240		111 (244 lbs)	1000	
5302-400	400 (15-3/4")	433 (17-1/16")	128	288	352	-	80	224	304	-	99 (218 lbs)	1140	16
5302-450	450 (17-11/16")	482 (19")			416			352	96 (211 lbs)		1280		
5302-500	500 (19-11/16")	532 (21")	192	320	448	112	112	272	384	-	92 (201 lbs)	1430	10
5302-550	550 (21-11/16")	580 (22-13/16")			512			448	86 (188 lbs)		1570		
5302-600	600 (23-5/8")	630 (24-13/16")	208	336	544	144	144	336	496	-	81 (177 lbs)	1710	8
5302-650	650 (25-5/8")	677 (26-5/8")	128	288	480			608	272		416	544	
5302-700	700 (27-9/16")	728 (28-5/8")	192	370	544	722	176	304	448	-	71 (155 lbs)	2000	8
5302-750	750 (29-1/2")	777 (30-5/8")			672			530	722		176	336	
5302-800	800 (31-1/2")	826 (32-1/2")	224	388	548	772	192	384	576	688	64 (140 lbs)	2280	