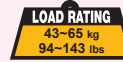


FULL EXTENSION SLIDE

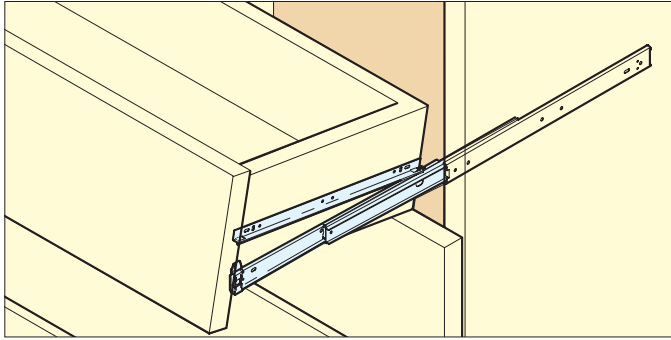


ESR-3

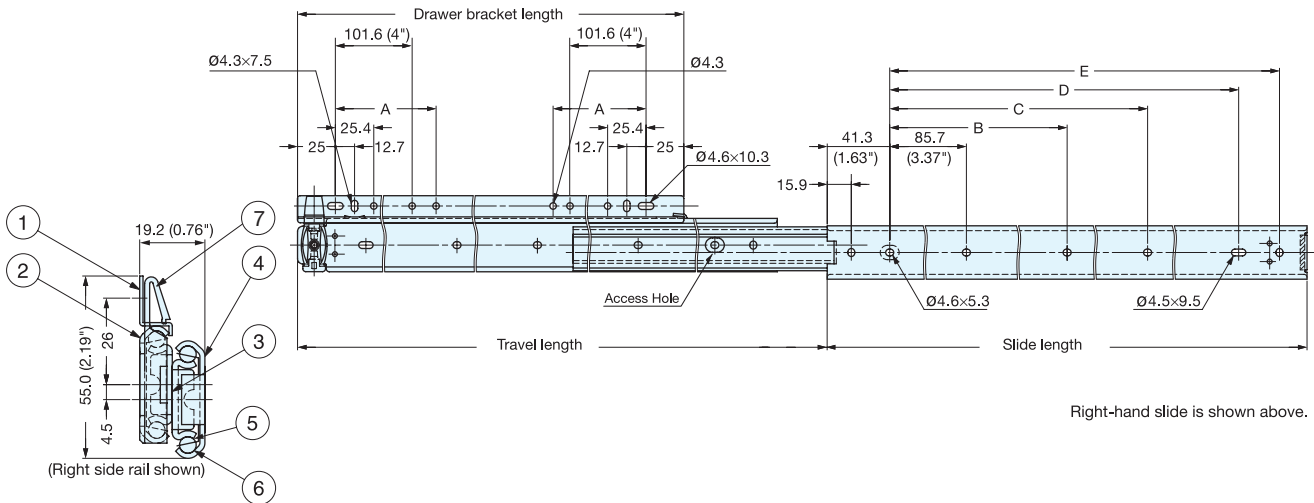
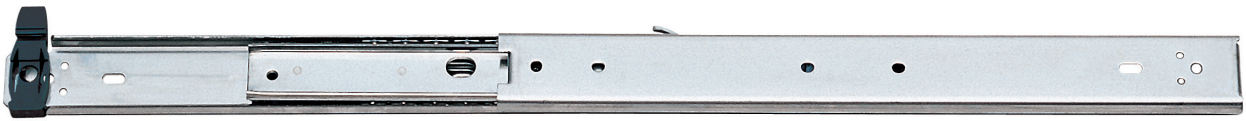
DRAWER SLIDES

STAINLESS STEEL SLIDES

- Handed.
- Full extension.
- Quick disconnect.
- Positive stop.
- Sold in pairs.
- Mount with M4 or #8 Binding, Pan, or Truss head screws.



Drawer Bracket



Right-hand slide is shown above.

25.4 mm=1"

No.	Part	Material
①	Drawer Bracket	304 Stainless Steel
②	Inner Rail	
③	Intermediate Member	
④	Outer Rail	
⑤	Retainer	
⑥	Balls	
⑦	Disconnect Lever	Plastic

Item No.	Slide Length	Travel Length	Drawer Bracket Length	A	B	C	D	E	# of Holes Outer Rail	Load Rating (kg/pair)	Weight (g)	Box (Pair)	
ESR-3-12	304.8 (12")	348.4 (13-23/32")	273.0 (10-3/4")	177.8	-	123.1	218.3	245.3	6	65 (143 lbs)	1400	6	
ESR-3-14	355.6 (14")	399.2 (15-23/32")	273.0 (10-3/4")			173.9	269.1	296.1		61 (134 lbs)	1600		
ESR-3-16	406.4 (16")	450.0 (17-23/32")	375.0 (14-49/64")			224.7	319.9	346.9		61 (134 lbs)	1900		
ESR-3-18	457.2 (18")	500.8 (19-23/32")	375.0 (14-49/64")			187.3	275.5	370.7		397.7	56 (123 lbs)		2100
ESR-3-20	508.0 (20")	551.6 (21-23/32")	375.0 (14-49/64")			212.7	326.3	421.5		448.5	52 (114 lbs)		2300
ESR-3-22	558.8 (22")	602.4 (23-23/32")	527.0 (20-3/4")			238.1	377.1	472.3		499.3	52 (114 lbs)		2700
ESR-3-24	609.6 (24")	653.2 (25-23/32")	527.0 (20-3/4")		263.5	427.9	523.1	550.1	48 (105 lbs)	3000			
ESR-3-26	660.4 (26")	704.0 (27-23/32")	575.3 (22-21/32")		288.9	478.7	573.9	600.9	43 (94 lbs)	3100			
ESR-3-28	711.2 (28")	754.8 (29-23/32")	575.3 (22-21/32")		314.3	529.5	624.7	651.7	43 (94 lbs)	3500			