

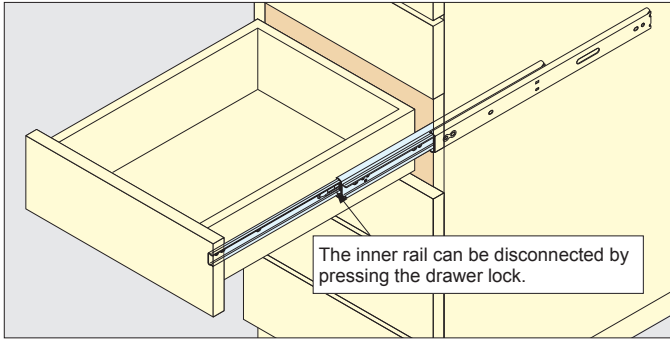
FULL EXTENSION SLIDE



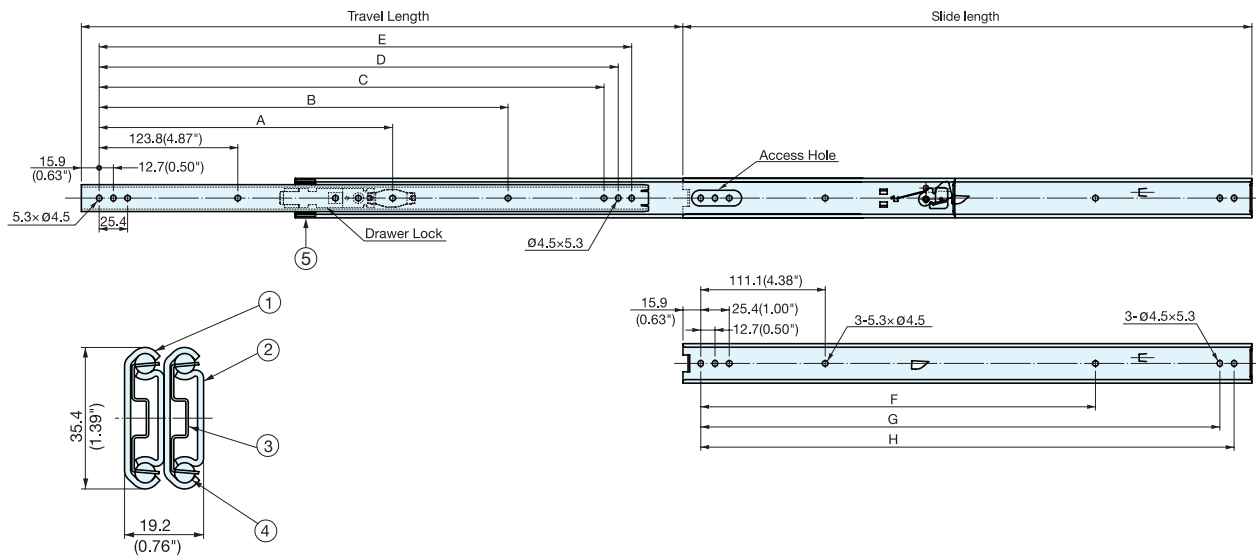
ESR-7

DRAWER SLIDES

STAINLESS STEEL SLIDES



- Full extension.
- Front disconnect.
- Positive lock.
- Non-handed.
- Sold by each.
- Mount with M4 or #8 Binding, Pan, or Truss head screws.



25.4 mm=1"

No.	Part	Material
①	Outer Rail	304 Stainless Steel
②	Inner Rail	
③	Retainer	
④	Balls	
⑤	Guide Block	Polyacetal

Item No.	Slide Length	Travel Length	A	B	C	D	E	F	G	H	# of Holes		Load Rating (kg/pair)	Weight (g)	Box (pcs)
											Inner Rail	Outer Rail			
ESR-7-12	304.8 (12")	336.0 (13-7/32")	-	-	-	260.3	273.0	-	260.3	273.0	5	6	64 (139 lbs)	640	16
ESR-7-14	355.6 (14")	386.8 (15-7/32")	-	-	-	311.1	323.8	-	311.1	323.8	5	6	60 (131 lbs)	740	
ESR-7-16	406.4 (16")	437.6 (17-7/32")	-	-	349.2	361.9	374.6	250.8	361.9	374.6	6	7	57 (124 lbs)	840	
ESR-7-18	457.2 (18")	488.4 (19-7/32")	212.7	-	400.0	412.7	425.4	301.6	412.7	425.4	7	7	53 (115 lbs)	950	
ESR-7-20	508.0 (20")	539.2 (21-7/32")	238.1	-	450.8	463.5	476.2	352.4	463.5	476.2	8	7	49 (106 lbs)	1030	
ESR-7-22	558.8 (22")	590.0 (23-7/32")	263.5	415.9	501.6	514.3	527.0	403.2	514.3	527.0	8	7	45 (99 lbs)	1150	
ESR-7-24	609.6 (24")	640.8 (25-7/32")	288.9	466.7	552.4	565.1	577.8	454.0	565.1	577.8	8	7	42 (92 lbs)	1280	
ESR-7-26	660.4 (26")	691.6 (27-7/32")	314.3	517.5	603.2	615.9	628.6	504.8	615.9	628.6	8	7	39 (85 lbs)	1400	
ESR-7-28	711.2 (28")	742.4 (29-7/32")	339.7	568.3	654.0	666.7	679.4	555.6	666.7	679.4	8	7	36 (79 lbs)	1500	