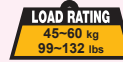


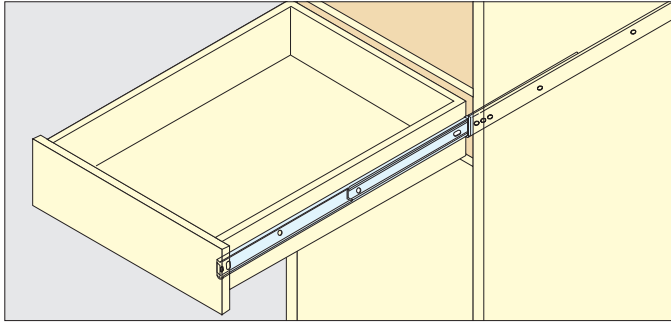
FULL EXTENSION SLIDE



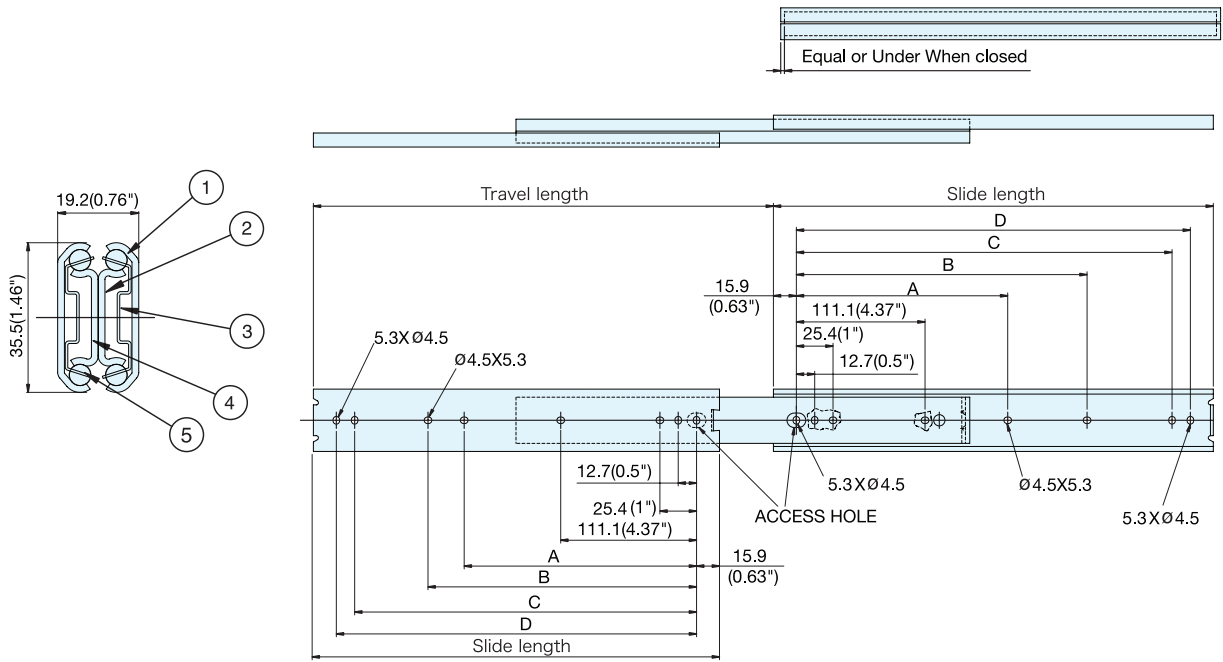
ESR-6

DRAWER SLIDES

STAINLESS STEEL SLIDES



- Full extension.
- Positive stop.
- Non-handed.
- Sold by each.
- Mount with M4 or #8 Binding, Pan, or Truss head screws.



Equal or Under When closed

25.4 mm=1"

No.	Part	Material
①	Outer Rail	304 Stainless Steel
②	Inner Rail	
③	Retainer	
④	Intermediate Member	
⑤	Balls	

Item No.	Slide Length	Travel Length	A	B	C	D	# of Holes Outer Rail	Load Rating (kg/pair)	Weight (g)	Box (pcs)
ESR-6-12	304.8 (12")	326 (12-27/32")	-	149.2	260.3	273.0	7	60 (132 lbs)	610	16
ESR-6-14	355.6 (14")	377 (14-27/32")		200	311.1	323.8		59 (130 lbs)	710	
ESR-6-16	406.4 (16")	428 (16-27/32")		250.8	361.9	374.6		57 (126 lbs)	810	
ESR-6-18	457.2 (18")	479 (18-55/64")	212.7	301.6	412.7	425.4	8	56 (123 lbs)	920	
ESR-6-20	508.0 (20")	529 (20-53/64")	238.1	352.4	463.5	476.2		53 (117 lbs)	980	
ESR-6-22	558.8 (22")	580 (22-27/32")	263.5	403.2	514.3	527.0		51 (112 lbs)	1120	
ESR-6-24	609.6 (24")	631 (24-27/32")	288.9	454.0	565.1	577.8	8	49 (108 lbs)	1230	
ESR-6-26	660.4 (26")	682 (26-26/32")	314.3	504.8	615.9	628.6		47 (104 lbs)	1330	
ESR-6-28	711.2 (28")	732 (28-13/16")	339.7	555.6	666.7	679.4		45 (99 lbs)	1440	