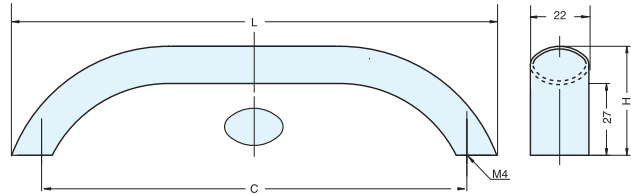


HANDLE



82 SERIES



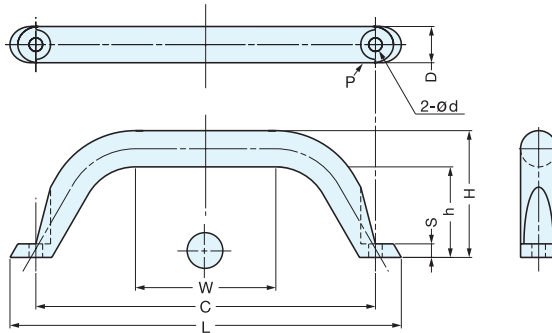
Item No.	L	C	H	Weight (g)	Box (pcs)	Carton (pcs)	Material	Finish
8261	182	160 (6-19/64")	41 (1-39/64")	166	25	250	304 Stainless Steel	Satin
8262	214	192 (7-9/16")		179				
8263	246	224 (8-13/16")		192				
8264	342	320 (12-19/32")		231				

HANDLE



MG

- Ideal for harsh and high corrosive environments.
- Compliant with SEMI S8-0701 guideline.



Item No.	D	C	L	P	W	H	h	S	ød	Weight (g)	Box (pcs)	Carton (pcs)	Material	Finish
													316 Stainless Steel	Mirror
MG-150	16	150 (5-29/32")	172.8	R6.5	62	56 (2-13/64")	40	6	6	295	10	40	316 Stainless Steel	Mirror
MG-190	18	190 (7-31/64")	216.7	R7.5	92	63 (2-31/64")	45	8	7	460	5	25		
MG-250		250 (9-27/32")	275.5		145	68 (2-43/64")	595							
MG-230T	20	230 (9-1/16")	260.0	R9.0	129	70 (2-3/4")	50	10	9	666	5	20	316 Stainless Steel	Mirror
MG-300T		300 (11-13/16")	330.0		199					838				