

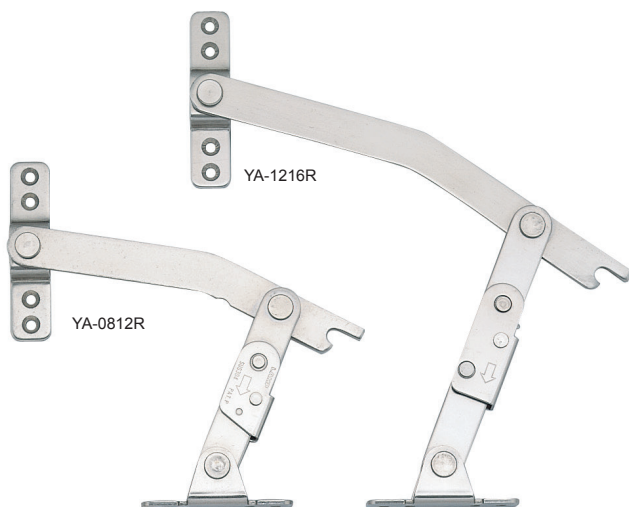
DOOR HOLDER



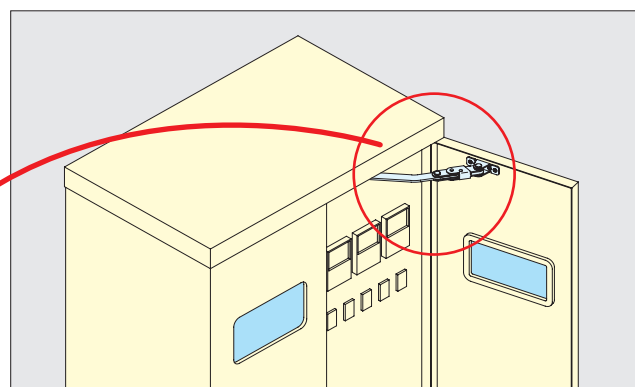
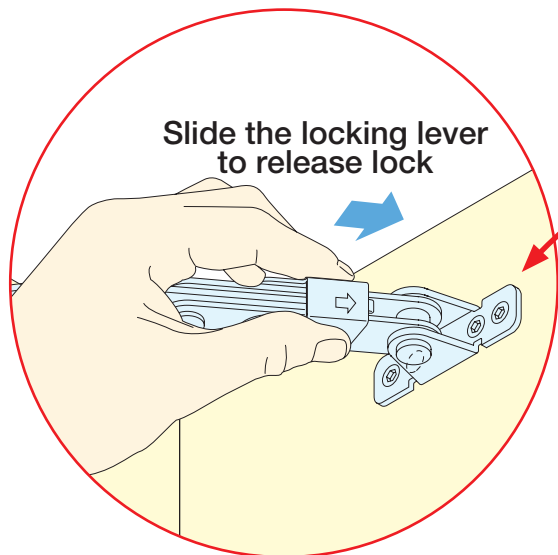
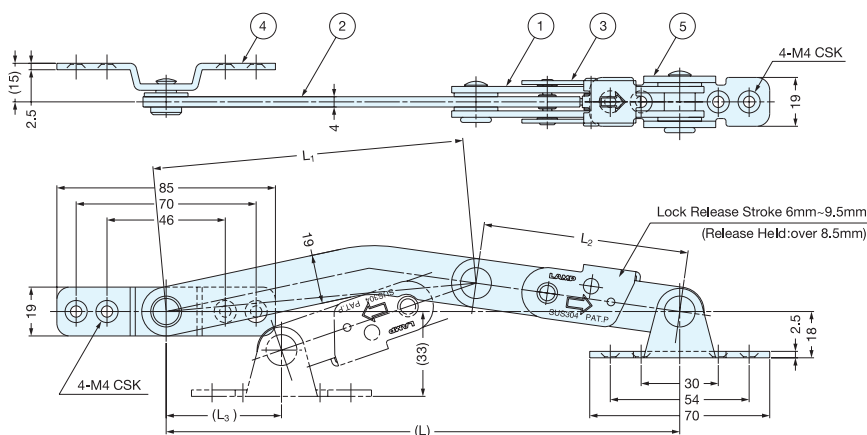
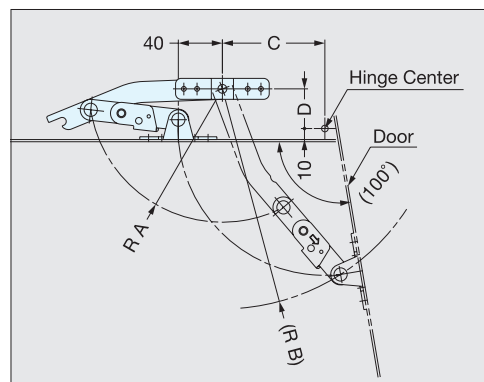
YA-0812, 1216

LID SUPPORTS

DOOR HOLDERS



- Automatically locks door when fully opened.
- Slide the locking lever to release lock.
Lever will keep the unlocked position until the door is moved, for easy handling.
- Left-handed and Right-handed models available.



| No. | Part Name | Material | Finish |
|-----|--------------|---------------------|----------|
| ① | Outer Plate | 304 Stainless Steel | Polished |
| ② | Arm | | |
| ③ | Slide Grip | | |
| ④ | Arm Bracket | | |
| ⑤ | Base Bracket | | |

| Item No. | Type | L | L ₁ | L ₂ | L ₃ | A | B | C | D | Weight (g) | Box (pcs) | Carton (pcs) |
|----------|-------|------------|----------------|----------------|----------------|-----|-----|-----|----|------------|-----------|--------------|
| YA-0812L | Left | 200 | 121 | 80 | 45 | 121 | 200 | 93 | 36 | 291 | 5 | 30 |
| YA-0812R | Right | (7-7/8") | (4-49/64") | (3-5/32") | | | | | | | | |
| YA-1216L | Left | 280 | 161 | 120 | 44 | 161 | 280 | 145 | 40 | 340 | | |
| YA-1216R | Right | (11-1/32") | (6-11/32") | (4-23/32") | | | | | | | | |