

ENCLOSURE DOOR STOPS



YFN

LID SUPPORTS

FOOT STAYS



YFN-200



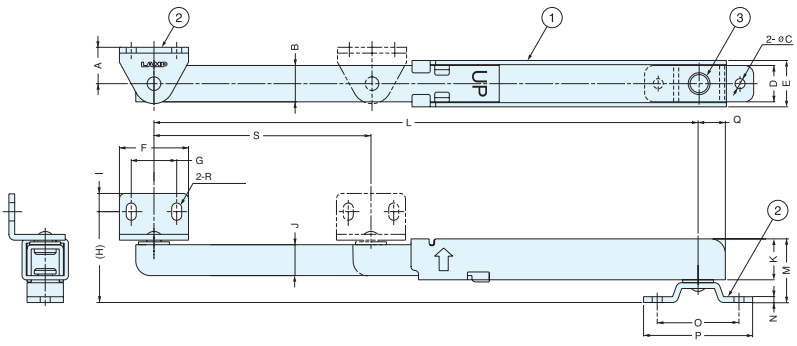
YFN-300



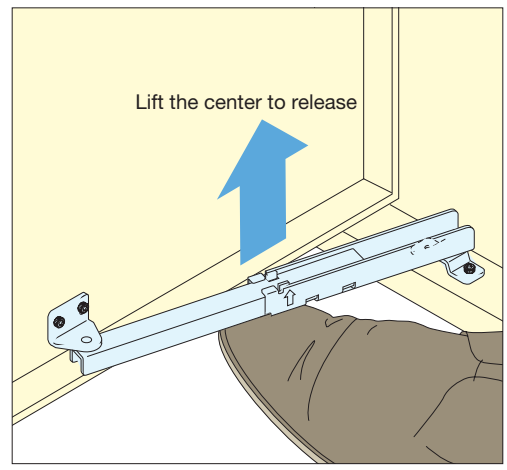
YFN-300-T50



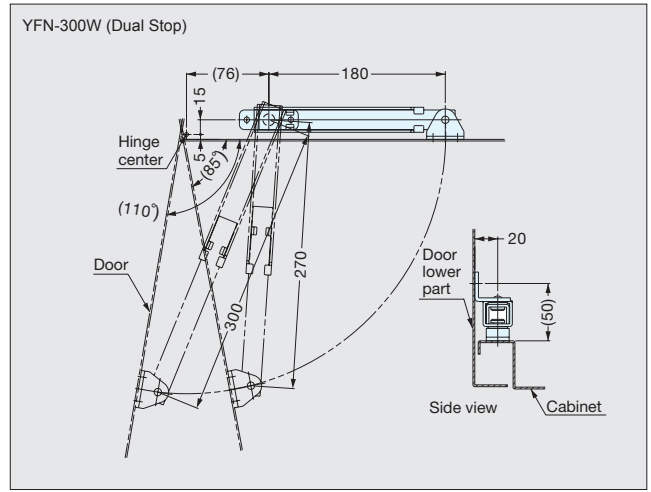
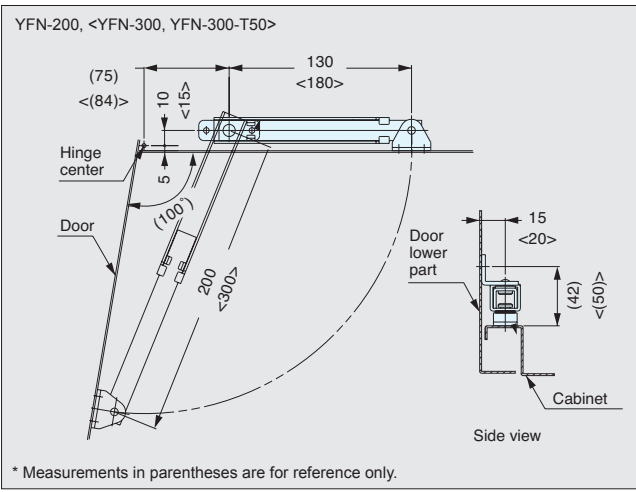
YFN-300W



- Door stops for enclosures that mechanically lock doors open.
- Release the stay by lifting with foot.
- For horizontally swinging doors only.
- Non-Handed: Install on left or right side.
- Designed for installation at the base of the enclosure.
- **YFN-300W only:** Mechanically locks door at 85° and 110° (fully opened).



No.	Part Name	Material	Finish
①	Body	Steel	Colored Zinc Chromate
②	Bracket		
③	Pin	304 Stainless Steel	Plain



Item No.	L	S	A	B	C	D	E	F	G	(H)	I	J	K	M	N	O	P	Q	R	
YFN-200	200 (7-7/8")	70 (2-3/4")	15	15.9	5.5	17	20.0	33	20	42	8	15.7	20.0	30	2.3	35	50	10	5.5×8.0	
YFN-300	300 (11-13/16")	120 (4-23/32")	20	20.0	5.5	20	25.5	38	25	50	10	17.0	22.5	35	3.2	45	60	15	5.5×9.5	
9.0					50											72				
5.5					45											60				
YFN-300-T50																				
YFN-300W																				

Item No.	Old Item No.	Tensile Force (kg)	Compression Load (kg)	Weight (kg)	Box (pcs)	Carton (pcs)
YFN-200	YF-200	Max. 90 (198 lbs)	Max. 50 (110 lbs)	198	10	100
YFN-300	YF-300	Max.150(330 lbs)	Max. 60 (132 lbs)	438	5	30
YFN-300-T50	YF-300-T50			476		
YFN-300W	YF-300W			435		